

RIDGWAY Rentals

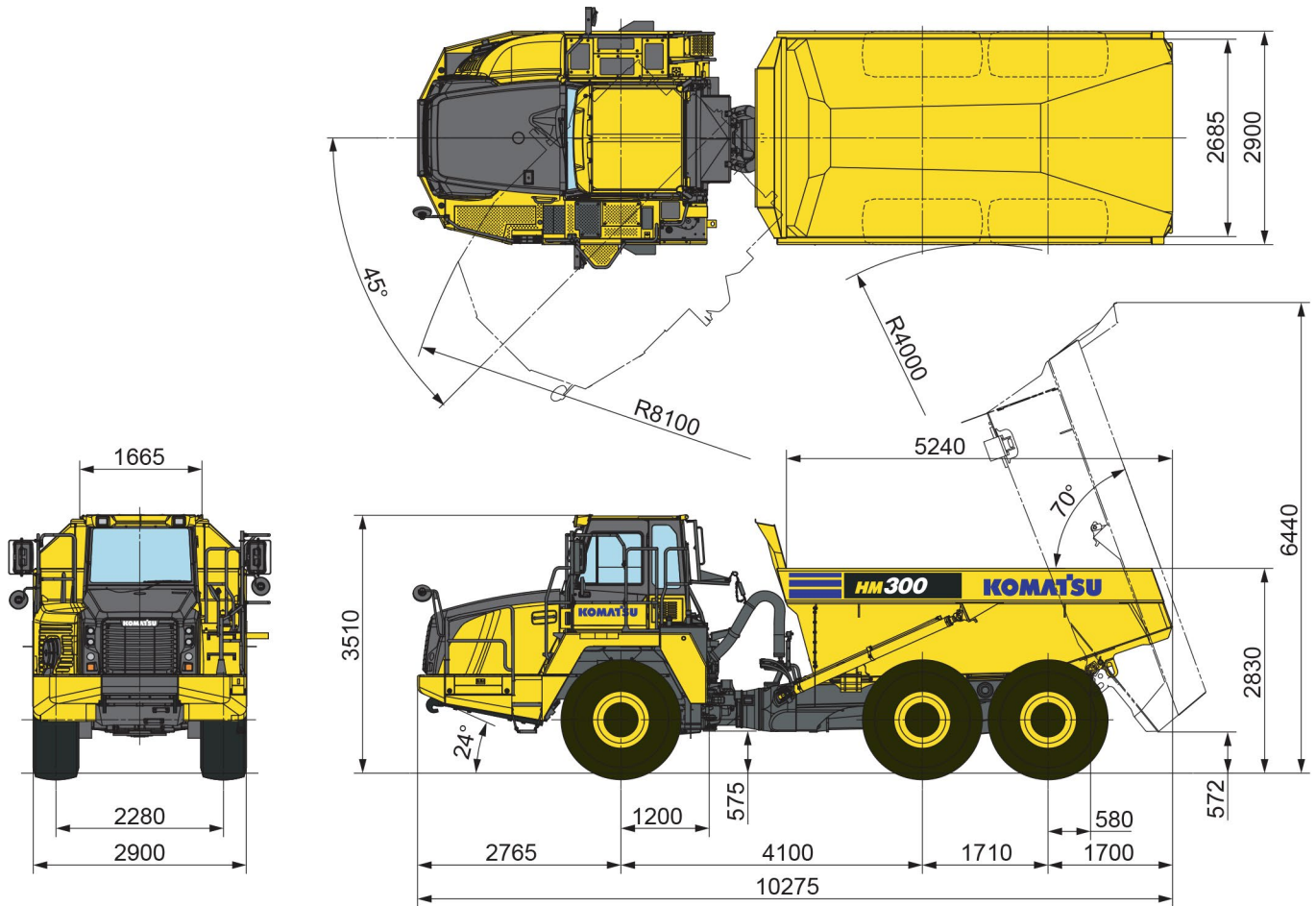
PLANT RENTAL • HAULAGE • SALES • PARTS • SERVICE

01691 770171 0800 515155

sales@ridgwayrentals.com www.ridgwayrentals.com



KOMATSU HM300 DUMP TRUCK



All measurements with tyres 23.5 R25

WEIGHT (APPROX.)

Empty weight.....24.910 kg
Gross vehicle weight52.990 kg

Weight distribution

Empty:

Front axle..... 57%
Centre axle..... 23%
Rear axle..... 20%

Loaded:

Front axle..... 29%
Centre axle..... 36,5%
Rear axle..... 34,5%

BODY

Capacity:

Struck13,4 m³
Heaped (2:1, SAE).....17,1 m³
Payload.....28 tons
Material..... 130 kg/mm²
high tensile strength steel

Material thickness:

Bottom 14 mm
Front.....8 mm
Sides 12 mm
Target area (inside length × width)..... 5.250 mm × 2.685 mm
Heating Exhaust heating (option)