

RIDGWAY Rentals

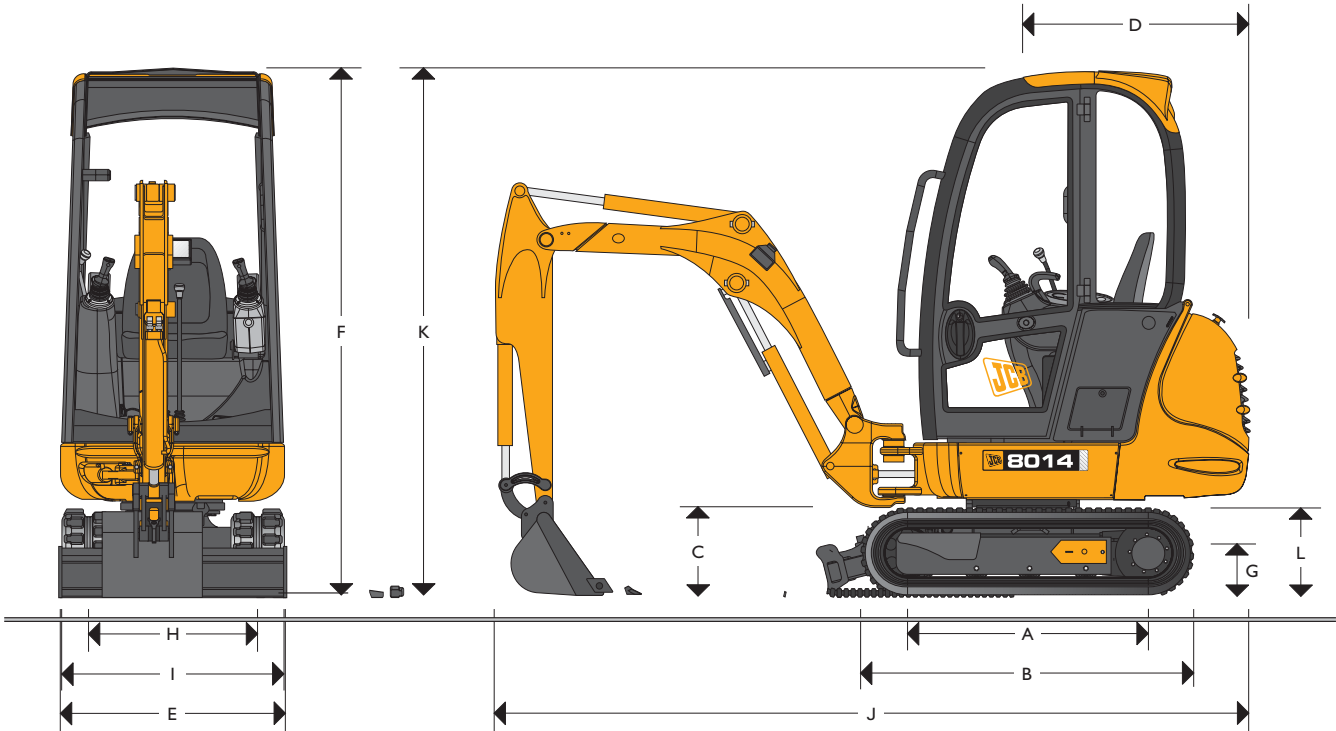
PLANT RENTAL • HAULAGE • SALES • PARTS • SERVICE

01691 770171 0800 515155

sales@ridgwayrentals.com www.ridgwayrentals.com



JCB 8014 CTS 1.5 Ton Mini Digger



STATIC DIMENSIONS

Machine model	8014	Machine model	8014
	mm (ft-in)		mm (ft-in)
A Sprocket idler centres	1027 (3-4)	H Track gauge	742 (2-5)
B Undercarriage overall length	1384 (4-7)	I Width over tracks	972 (3-2)
C Kingpost clearance	376 (1-3)	J Transport length	3346 (10-11¼)
D Tailswing radius	1028 (3-4½)	K Transport height with FOGS guard	2318 (7-7)
E Overall width of superstructure	980 (3-2½)	K Transport height without FOGS guard	2304 (7-6½)
F Height over cab	2318 (7-7)	L Track height	366 (1-2)
G Ground clearance	158 (0-6)		

WORKING RANGE

Machine model	8014	
Dipper length	mm (ft-in)	1161 (3-10)
A Max digging reach	mm (ft-in)	3837 (12-7)
B Max digging reach on ground	mm (ft-in)	3764 (12-4)
C Max digging depth – dozer up	mm (ft-in)	2044 (6-8½)
Max digging depth – dozer down	mm (ft-in)	2357 (7-9)
D Max digging height	mm (ft-in)	3393 (11-2)
E Max dump height	mm (ft-in)	2501 (8-2½)
F Max height to dipper nose pivot pin	mm (ft-in)	2921 (9-7)
G Max vertical wallcut depth	mm (ft-in)	1659 (5-5)
H Min. front swing radius (no offset)	mm (ft-in)	1641 (5-4½)
Min. front swing radius (fully offset)	mm (ft-in)	1457 (4-9)
I Boom swing left	degrees	55
J Boom swing right	degrees	75
Bucket rotation	degrees	198
Dipper rotation	degrees	112
Bucket tearout	kN (lbf)	13.5 (3035)
Dipper tearout	kN (lbf)	8 (1798)
Slew speed	rpm	10

