

RIDGWAY Rentals

PLANT RENTAL • HAULAGE • SALES • PARTS • SERVICE

01691 770171 0800 515155

sales@ridgwayrentals.com www.ridgwayrentals.com



Komatsu D51PX Crawler Dozer

DIMENSIONS

	D51EX-22	D51PX-22
A	1.280 mm	1.280 mm
B*	3.045 mm	N/A
B**	3.350 mm	3.350 mm
C*	445 mm	N/A
C**	490 mm	490 mm
D	2.885 mm	2.885 mm
E	980 mm	980 mm
F	520 mm	520 mm ^u
G	2.745 mm	2.745 mm
H	4.800 mm	4.800 mm
I	2.245 mm	2.245 mm
J	3.177 mm	3.177 mm
K	2.997 mm	2.997 mm
L	54 mm	54 mm
M	1.790 mm	1.880 mm
N	560 mm	710 mm
O	2.350 mm	2.590 mm
P*	4 mm	N/A
P**	136 mm	16 mm
Q*	2.725 mm	N/A
Q**	2.990 mm	2.990 mm

* 2,7 m³ blade (D51EX-22 only)

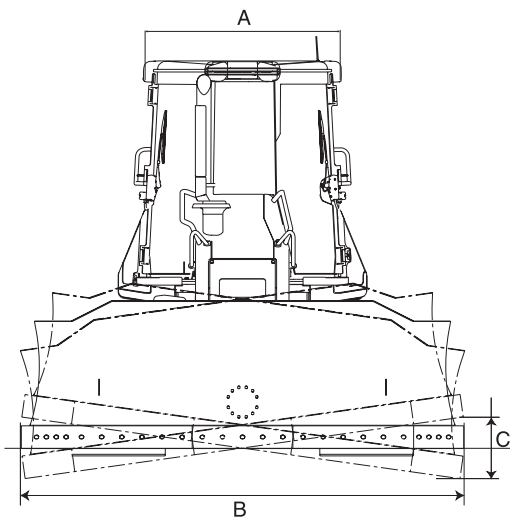
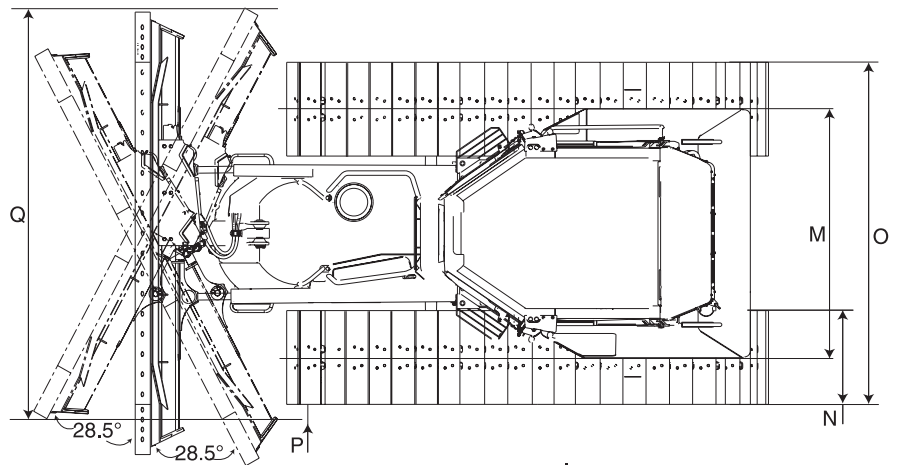
** 2,9 m³ blade

OPERATING WEIGHT (APPR.)

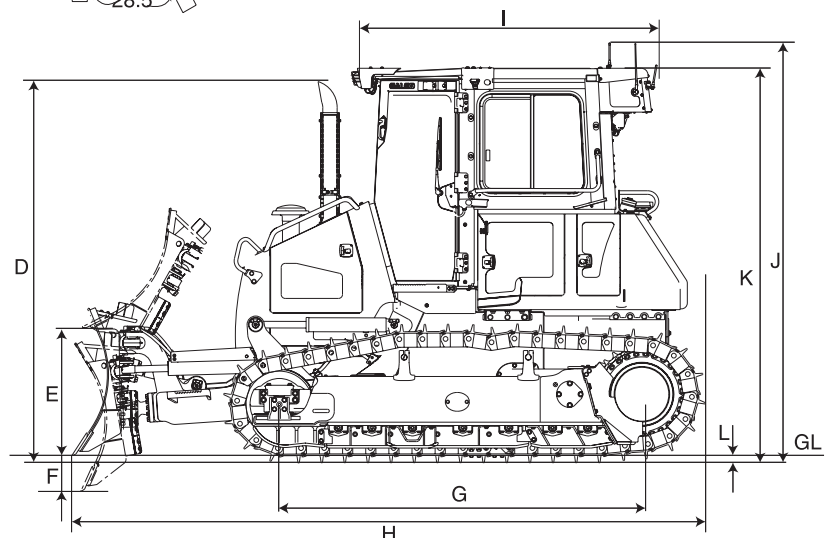
Including steel cab, ROPS, operator, standard equipment, rated capacity of lubricant, coolant, and full fuel tank.

D51EX-22 12.710 kg

D51PX-22 13.100 kg



Ground clearance: 385 mm



DOZER EQUIPMENT

Blade capacities are based on the SAE recommended practice J1265.

	Overall length with dozer	Blade width × height	Maximum lift above ground	Maximum drop below ground	Maximum tilt adjustment	Blade angle
2,7 m ³ PAT blade (EX)	4.800 mm	3.045 × 1.110 mm	1.107 mm	461 mm	459 mm	28,5°
2,9 m ³ PAT blade (EX)	4.800 mm	3.350 × 1.110 mm	1.107 mm	461 mm	459 mm	28,5°
2,9 m ³ PAT blade (PX)	4.800 mm	3.350 × 1.110 mm	1.107 mm	461 mm	459 mm	28,5°