

RIDGWAY Rentals

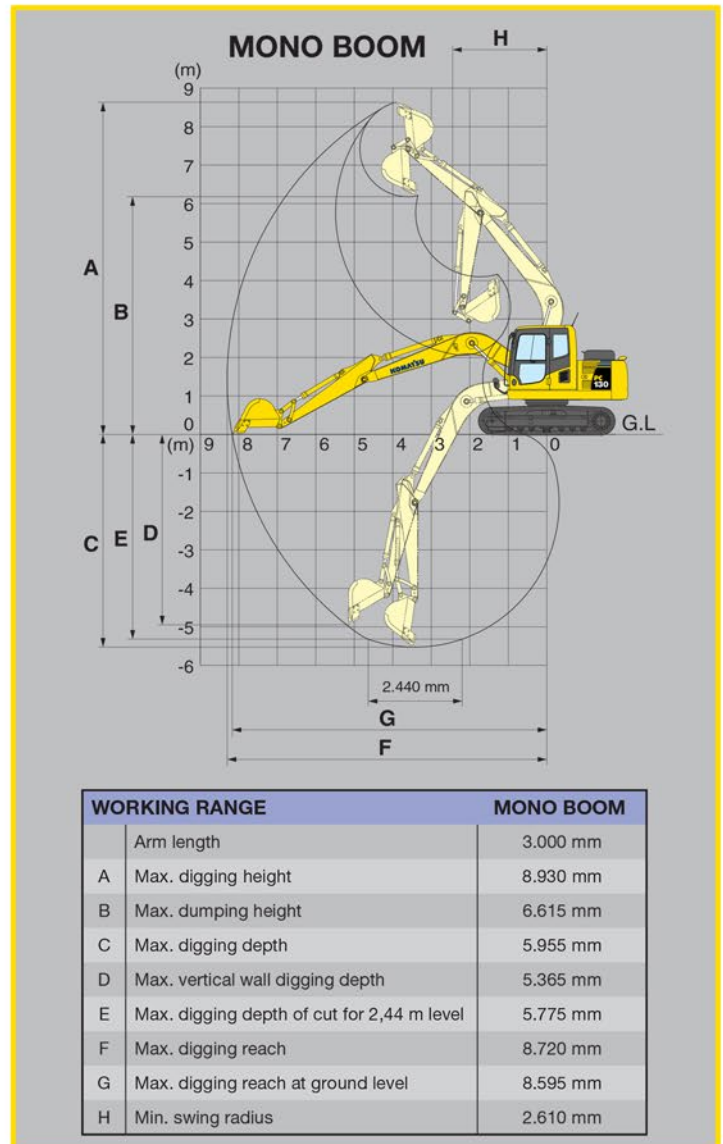
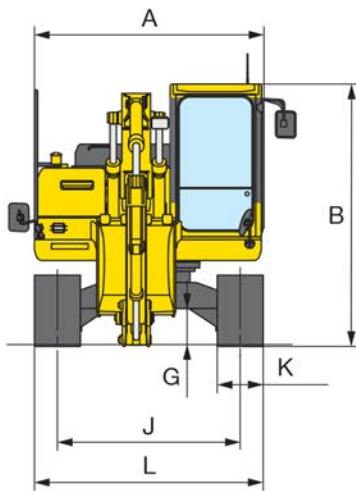
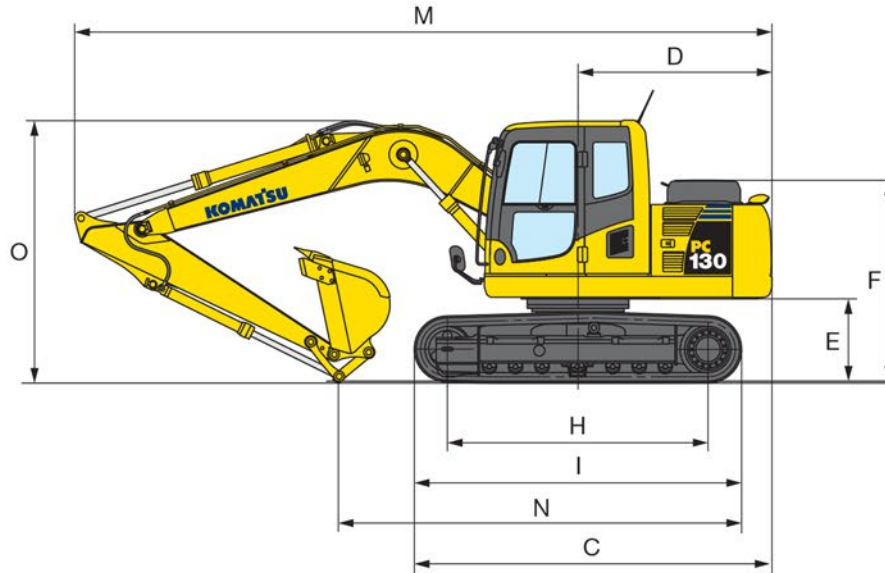
PLANT RENTAL • HAULAGE • SALES • PARTS • SERVICE

01691 770171 0800 515155

sales@ridgwayrentals.com www.ridgwayrentals.com



Komatsu PC130 13 Ton Hydraulic Excavator



MACHINE DIMENSIONS	PC130-8
A Overall width of upper structure	2.500 mm
B Overall height of cab	2.855 mm
C Overall length of basic machine	3.925 mm
D Tail length	2.110 mm
Tail swing radius	2.190 mm
E Clearance under counterweight	895 mm
F Machine tail height	2.190 mm
G Ground clearance	400 mm
H Tumbler center distance	2.880 mm
I Track length	3.610 mm
J Track gauge	1.990 mm
K Track shoe width	500; 600; 700 mm
L Overall track width with 500 mm shoe	2.490 mm
Overall track width with 600 mm shoe	2.590 mm
Overall track width with 700 mm shoe	2.690 mm