

RIDGWAY Rentals



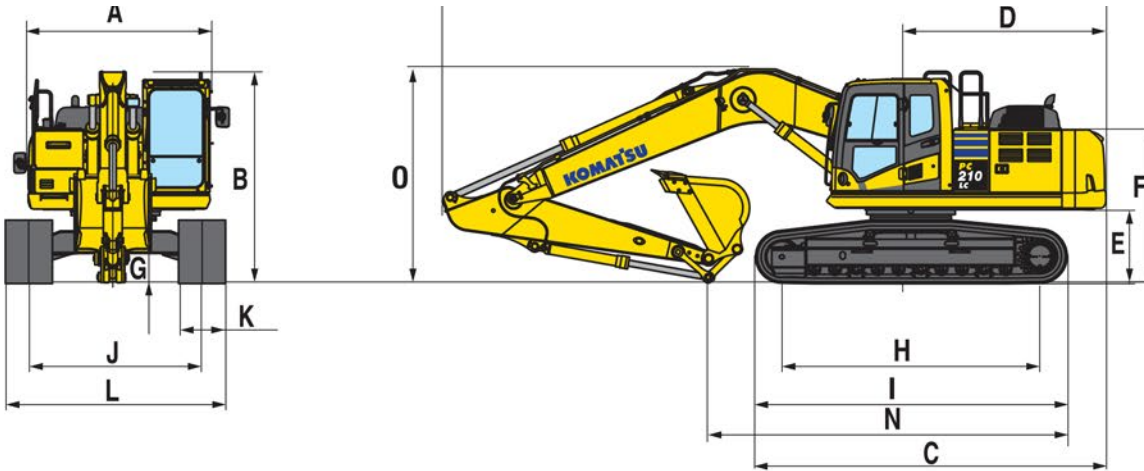
PLANT RENTAL • HAULAGE • SALES • PARTS • SERVICE

01691 770171 0800 515155

sales@ridgwayrentals.com www.ridgwayrentals.com



Komatsu PC210LC-10 Hydraulic Excavator



MACHINE DIMENSIONS	PC210LC-10
A Overall width of upper structure	2.705 mm
B Overall height of cab	3.045 mm
C Overall length of basic machine	5.135 mm
D Tail length	2.910 mm
Tail swing radius	2.940 mm
E Clearance under counterweight	1.085 mm
F Machine tail height	2.250 mm
G Ground clearance	440 mm
H Tumbler centre distance	3.655 mm
I Track length	4.450 mm
J Track gauge	2.380 mm
K Track shoe width	600, 700, 800, 900 mm
L Overall track width with 600 mm shoes	2.980 mm
Overall track width with 700 mm shoes	3.080 mm
Overall track width with 800 mm shoes	3.180 mm
Overall track width with 900 mm shoes	3.280 mm

TRANSPORT DIMENSIONS	MONO BOOM
Arm length	2,9 m
M Transport length	9.625 mm
N Length on ground (transport)	4.450 mm
O Overall height (to top of boom)	3.135 mm

BUCKET AND ARM FORCE	
Arm length	2,9 m
Bucket digging force	14.100 kg
Bucket digging force at PowerMax	15.200 kg
Arm crowd force	10.300 kg
Arm crowd force at PowerMax	11.000 kg

ARM LENGTH	2,9 m
A Max. digging height	10.000 mm
B Max. dumping height	7.110 mm
C Max. digging depth	6.620 mm
D Max. vertical wall digging depth	5.980 mm
E Max. digging depth of cut for 2,44 m level	6.370 mm
F Max. digging reach	9.875 mm
G Max. digging reach at ground level	9.700 mm
H Min. swing radius	3.040 mm

