

RIDGWAY Rentals

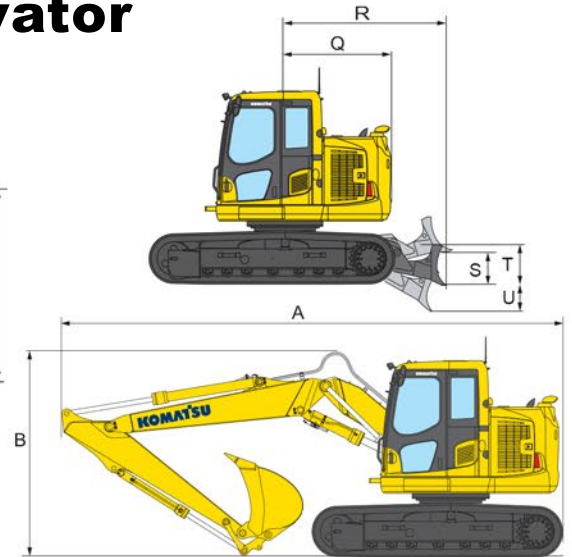
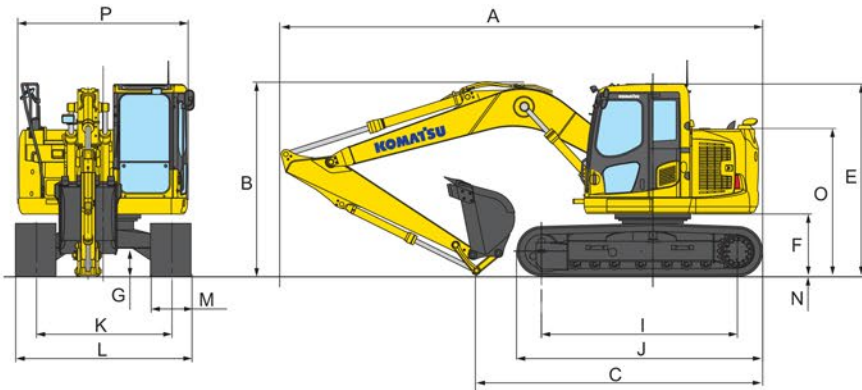
PLANT RENTAL • HAULAGE • SALES • PARTS • SERVICE

01691 770171 0800 515155

sales@ridgwayrentals.com www.ridgwayrentals.com



Komatsu PC138 13 Ton Zero Tail Swing Hydraulic Excavator



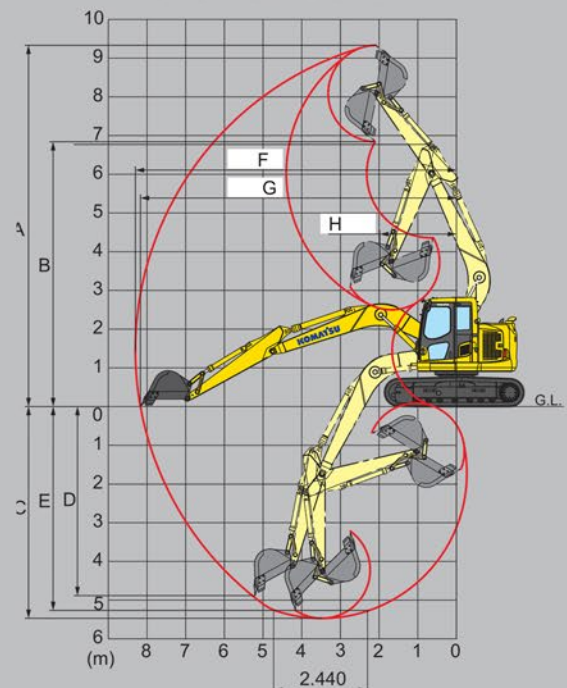
MACHINE DIMENSIONS

E	Overall height of cab	2.815 mm
F	Clearance under counterweight	900 mm
G	Ground clearance	395 mm
H	Tail swing radius	1.480 mm
I	Tumbler centre distance	2.880 mm
J	Track length	3.610 mm
K	Track gauge	1.990 mm
L	Overall track width with 500 mm shoes	2.490 mm
	Overall track width with 600 mm shoes	2.590 mm
	Overall track width with 700 mm shoes	2.690 mm
M	Shoe width	500, 600, 700 mm
N	Grouser height	20 mm
O	Machine tail height	2.140 mm
P	Overall width of upper structure	2.490 mm
Q	Distance, swing center to rear end	1.480 mm
R	Distance, swing center to blade	2.500 mm
S	Blade, max. lifting height	470 mm
T	Height of blade	590 mm
U	Blade, max. digging depth	525 mm
	Blade width (with 500 mm shoes)	2.490 mm
	Blade width (with 600 mm shoes)	2.590 mm

TRANSPORT DIMENSIONS

	MONO BOOM	
Arm length	3,0 m	
A	Transport length	7.160 mm
B	Overall height (to top of boom)	3.210 mm
B	Overall height (to top of hose)	-
C	Length on ground (transport)	4.290 mm

MONO BOOM



ARM LENGTH	3,0 m	
A	Max. digging height	9.700 mm
B	Max. dumping height	7.350 mm
C	Max. digging depth	5.900 mm
D	Max. vertical wall digging depth	5.340 mm
E	Max. digging depth of cut for 2,44 m level	5.715 mm
F	Max. digging reach	8.720 mm
G	Max. digging reach at ground level	8.600 mm
H	Min. swing radius	2.265 mm
	Bucket digging force (ISO)	9.500 kgf
	Arm crowd force (ISO)	5.700 kgf