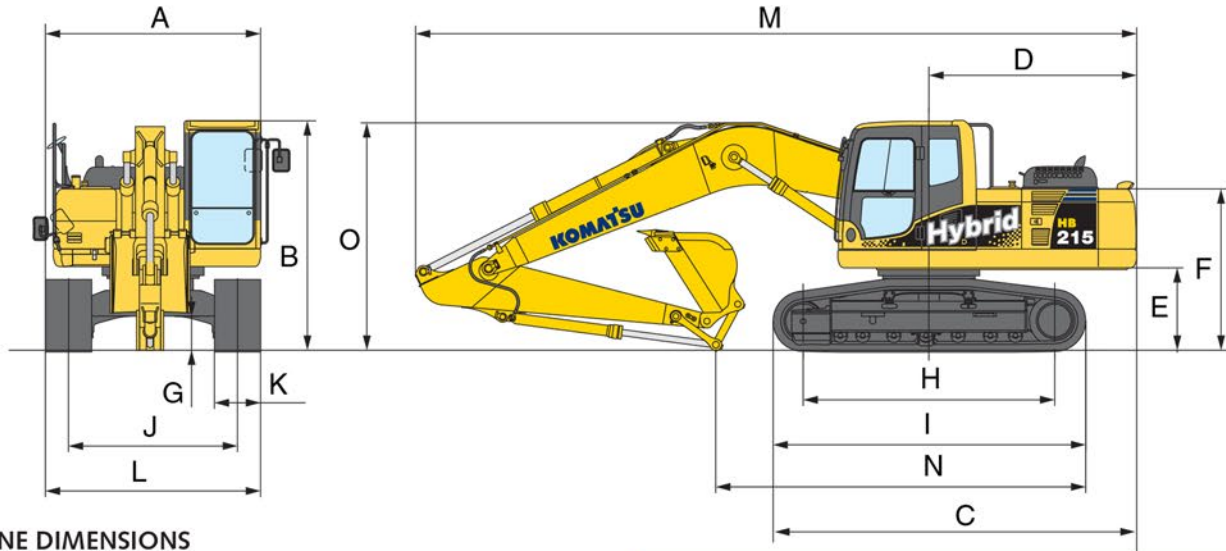




Komatsu HB215 Hybrid 20 Ton Hydraulic Excavator



MACHINE DIMENSIONS

A	Overall width of upper structure	2.710 mm
B	Overall height of cab	3.040 mm
C	Overall length of basic machine	4.540 mm
D	Tail length	2.710 mm
	Tail swing radius	2.750 mm
E	Clearance under counterweight	1.085 mm
F	Machine tail height	2.095 mm
G	Ground clearance	440 mm
H	Tumbler centre distance	3.655 mm
I	Track length	4.450 mm
J	Track gauge	2.380 mm
K	Track shoe width	600 mm
L	Overall track width with 600 mm shoe	2.980 mm

TRANSPORT DIMENSIONS

	Arm length	2,9 m
M	Transport length	9.425 mm
N	Length on ground (transport)	5.000 mm
O	Overall height (to top of boom)	2.970 mm

BUCKET AND ARM FORCE

Arm length	2,9 m
Bucket digging force	14.100 kg
Bucket digging force at PowerMax	15.200 kg
Arm crowd force	10.300 kg
Arm crowd force at PowerMax	11.000 kg

ARM LENGTH

2,9 m

A	Max. digging height	10.000 mm
B	Max. dumping height	7.110 mm
C	Max. digging depth	6.620 mm
D	Max. vertical wall digging depth	5.980 mm
E	Max. digging depth of cut for 2,44 m level	6.370 mm
F	Max. digging reach	9.875 mm
G	Max. digging reach at ground level	9.700 mm
H	Min. swing radius	3.040 mm

