

# RIDGWAY Rentals

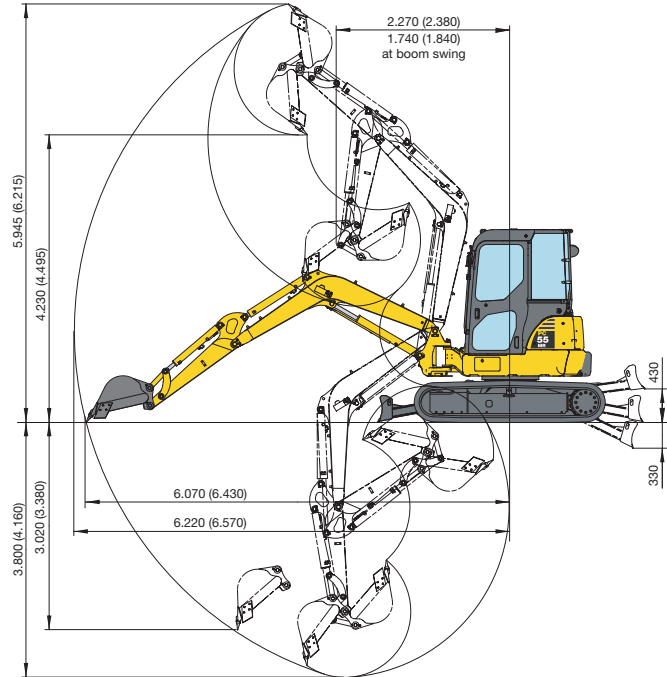
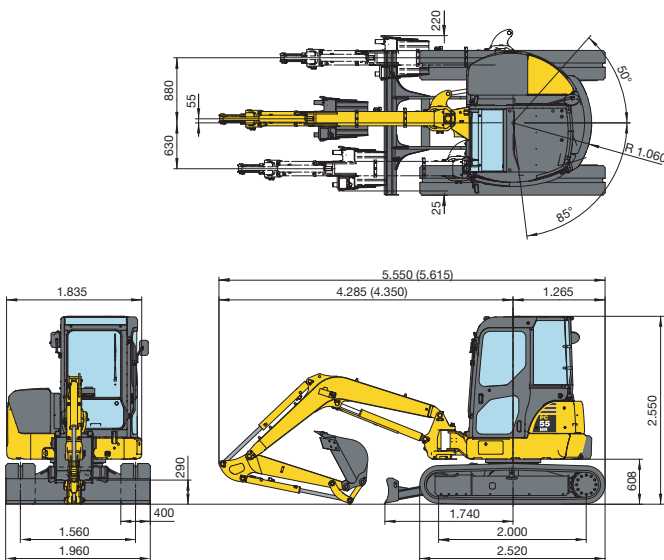
PLANT RENTAL • HAULAGE • SALES • PARTS • SERVICE

01691 770171 0800 515155

sales@ridgwayrentals.com www.ridgwayrentals.com



## Komatsu PC55MR 5 Ton Mini Excavator



### Cab, rubber shoes, blade down

A - Distance from machine's center B - Height at bucket pin

#### ARM LENGTH 1.640 mm

B \ A	2 m		3 m		4 m		Max. outreach	
	Front	360°	Front	360°	Front	360°	Front	360°
4 m	-	-	-	-	(*)790	780	(*)835	670
3 m	-	-	-	-	(*)845	775	(*)850	520
2 m	-	-	(*)1.435	1.180	(*)1.050	745	(*)885	460
1 m	-	-	(*)2.030	1.085	(*)1.285	705	(*)930	440
0 m	-	-	(*)2.260	1.040	(*)1.435	680	(*)985	455
-1 m	(*)2.790	2.025	(*)2.170	1.040	(*)1.415	670	(*)1.050	520
-2 m	-	-	-	-	-	-	-	-

Unit: kgf

### Cab, rubber shoes, blade up

A - Distance from machine's center B - Height at bucket pin

#### ARM LENGTH 1.640 mm

B \ A	2 m		3 m		4 m		Max. outreach	
	Front	360°	Front	360°	Front	360°	Front	360°
4 m	-	-	-	-	(*)790	780	(*)835	670
3 m	-	-	-	-	(*)845	775	780	520
2 m	-	-	(*)1.435	1.180	(*)1.050	745	695	460
1 m	-	-	1.665	1.085	1.065	705	670	440
0 m	-	-	1.620	1.040	1.035	680	695	455
-1 m	(*)2.790	2.025	1.615	1.040	1.025	670	795	520
-2 m	-	-	-	-	-	-	-	-

Unit: kgf

#### ARM LENGTH 2.000 mm

B \ A	2 m		3 m		4 m		Max. outreach	
	Front	360°	Front	360°	Front	360°	Front	360°
4 m	-	-	-	-	(*)625	(*)625	(*)730	565
3 m	-	-	-	-	(*)700	(*)700	(*)750	450
2 m	-	-	(*)1.160	(*)1.160	(*)915	750	(*)785	400
1 m	-	-	(*)1.815	1.095	(*)1.175	705	(*)825	385
0 m	(*)1.285	(*)1.285	(*)2.180	1.030	(*)1.375	670	(*)875	395
-1 m	(*)2.365	1.975	(*)2.205	1.015	(*)1.420	655	(*)935	445
-2 m	-	-	-	-	-	-	-	-

Unit: kgf

#### ARM LENGTH 2.000 mm

B \ A	2 m		3 m		4 m		Max. outreach	
	Front	360°	Front	360°	Front	360°	Front	360°
4 m	-	-	-	-	(*)625	(*)625	(*)730	565
3 m	-	-	-	-	(*)700	(*)700	685	450
2 m	-	-	(*)1.160	(*)1.160	(*)915	750	620	400
1 m	-	-	1.680	1.095	1.065	705	595	385
0 m	(*)1.285	(*)1.285	1.605	1.030	1.025	670	615	395
-1 m	(*)2.365	1.975	1.590	1.015	1.010	655	690	445
-2 m	-	-	-	-	-	-	-	-

Unit: kgf