

RIDGWAY Rentals

PLANT RENTAL • HAULAGE • SALES • PARTS • SERVICE

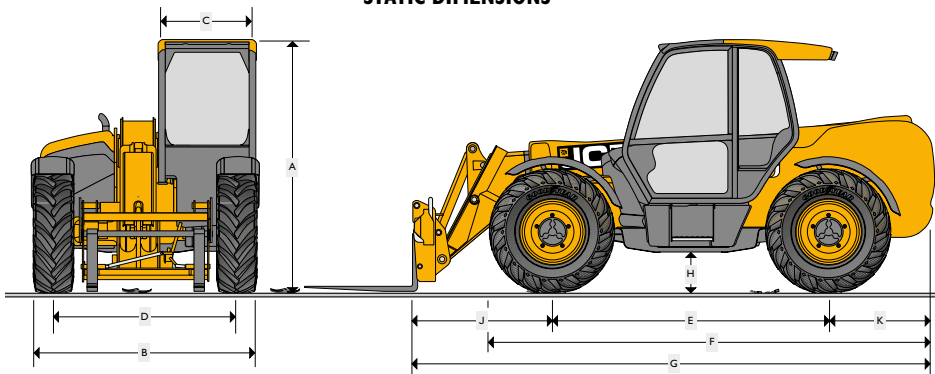
01691 770171 0800 515155

sales@ridgwayrentals.com www.ridgwayrentals.com



JCB 535-140 Hi Viz 14 Metre Reach Telehandler

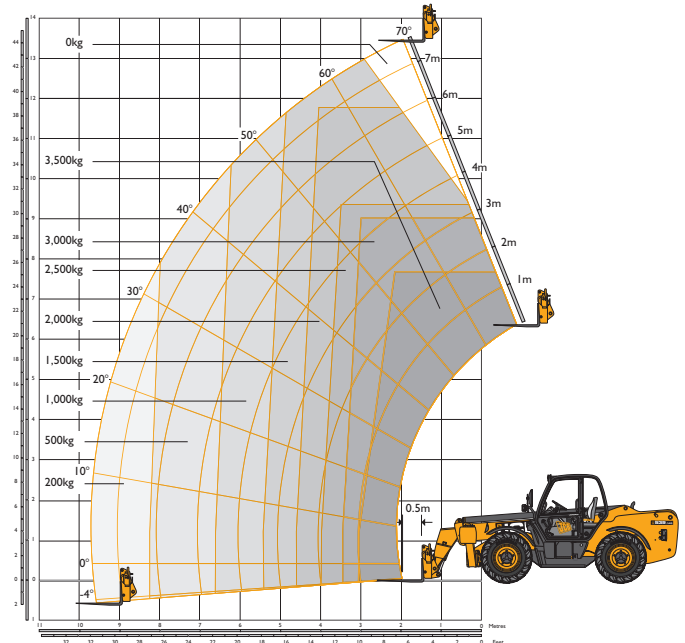
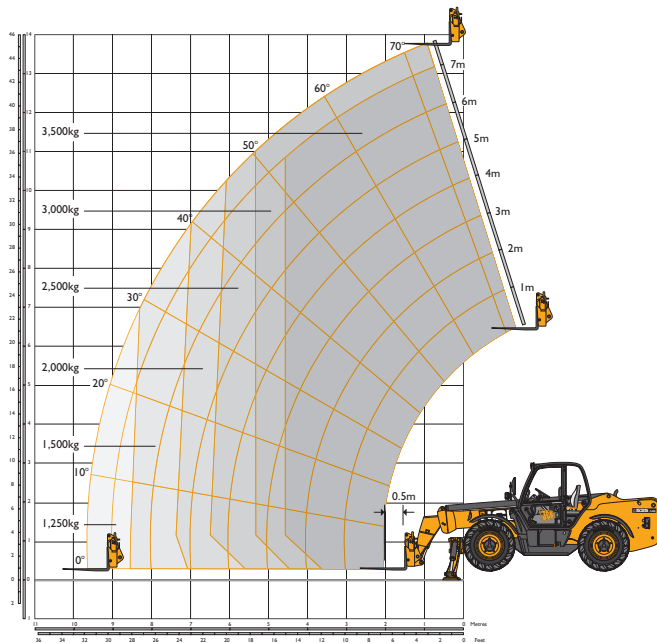
STATIC DIMENSIONS



* Type dependent

Machine model	535-140 HiViz
A Overall height	m 2.59
B Overall width (over tyres)*	m 2.35
C Inside width of cab	m 0.94
D Front track	m 1.90
E Wheelbase	m 2.75
F Overall length to front tyres	m 4.74
G Overall length to front carriage	m 6.23
H Ground clearance	m 0.40
J Front wheel centre to carriage	m 2.11
K Rear wheel centre to rear face	m 1.37
Overall width with stabilisers fully deployed	m 2.57
Outside turn radius (over tyres)	m 3.75
Carriage rollback angle	degrees 37.0
Carriage dump angle	degrees 12.5
Weight	kg 10880
Tyres	15.5/80-24

LIFT PERFORMANCE



Chassis Levelling (Sway) With stabilisers retracted (Sway angle $\pm 9^\circ$)

With Stabilisers Extended		
Maximum lift capacity	kg (lb)	3500 (7716)
Lift capacity to full height	kg (lb)	3000 (6614)
Lift capacity at full reach	kg (lb)	1250 (2756)
Lift height	m (ft-in)	13.78 (45-2)
Reach at maximum lift height	m (ft-in)	0.93 (3-0)
Maximum forward reach	m (ft-in)	9.60 (31-6)
Reach with 1 tonne load	m (ft-in)	9.60 (31-6)
Placing Height	m (ft-in)	13.30 (43-8)

Complies with stability test EN1459 Annex B.

With Stabilisers Retracted		
Maximum lift capacity	kg (lb)	3500 (7716)
Lift capacity to full height	kg (lb)	1500 (3307)
Lift capacity at full reach	kg (lb)	200 (441)
Lift height	m (ft-in)	13.47 (44-2)
Reach at maximum lift height	m (ft-in)	1.94 (6-4)
Maximum forward reach	m (ft-in)	9.70 (31-10)
Reach with 1 tonne load	m (ft-in)	6.61 (21-8)
Placing Height	m (ft-in)	13.02 (42-9)

Complies with stability test EN1459 Annex B.