

# RIDGWAY Rentals

PLANT RENTAL • HAULAGE • SALES • PARTS • SERVICE

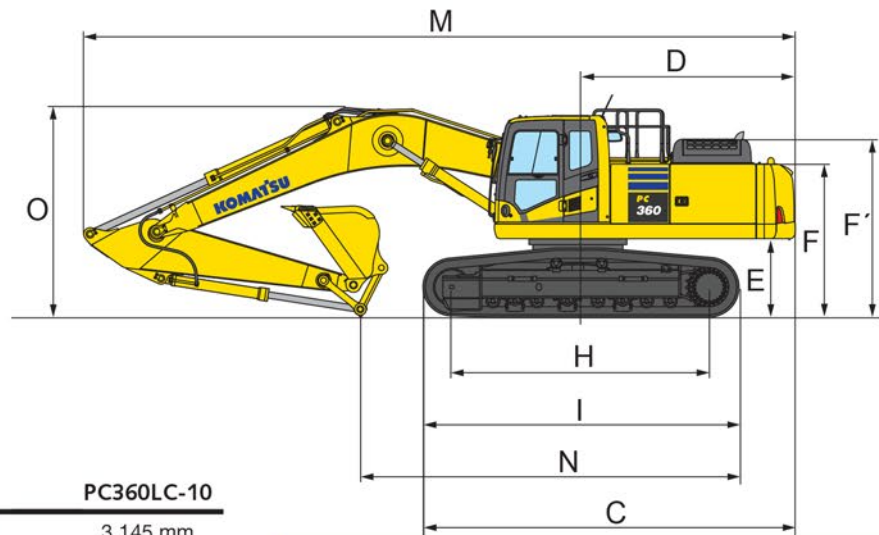
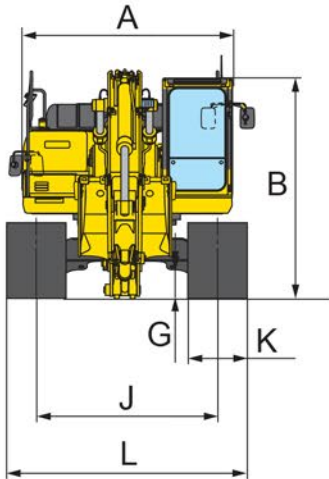


NATIONWIDE  
Hire Desk

**0800 515155**

sales@ridgwayrentals.com  
www.ridgwayrentals.com

## Komatsu PC360 35 Ton Hydraulic Excavator



### MACHINE DIMENSIONS

### PC360LC-10

A	Overall width of upper structure	3.145 mm
B	Overall height of cab	3.160 mm
C	Overall length of basic machine	5.885 mm
D	Tail length	3.405 mm
	Tail swing radius	3.445 mm
E	Clearance under counterweight	1.185 mm
F	Machine tail height	2.360 mm
F'	Machine tail height (top of engine cover)	2.750 mm
G	Ground clearance	500 mm
H	Tumbler centre distance	4.030 mm
I	Track length	4.955 mm
J	Track gauge	2.590 mm
K	Track shoe width	600, 700, 800, 850 mm
L	Overall track width with 600 mm shoes	3.190 mm
	Overall track width with 700 mm shoes	3.290 mm
	Overall track width with 800 mm shoes	3.390 mm
	Overall track width with 850 mm shoes	3.440 mm

### TRANSPORT DIMENSIONS

	Arm length	4,0 m
M	Transport length	11.170 mm
N	Length on ground (transport)	5.475 mm
O	Overall height (to top of boom)	3.760 mm

### BUCKET AND ARM FORCE

	Arm length	4,0 m
	Bucket digging force	21.600 kg
	Bucket digging force at PowerMax	23.100 kg
	Arm crowd force	13.700 kg
	Arm crowd force at PowerMax	14.700 kg

### ARM LENGTH

4,0 m

A	Max. digging height	10.550 mm
B	Max. dumping height	7.490 mm
C	Max. digging depth	8.180 mm
D	Max. vertical wall digging depth	7.280 mm
E	Max. digging depth of cut for 2,44 m level	8.045 mm
F	Max. digging reach	11.900 mm
G	Max. digging reach at ground level	11.730 mm
H	Min. swing radius	4.320 mm

