

RIDGWAY Rentals

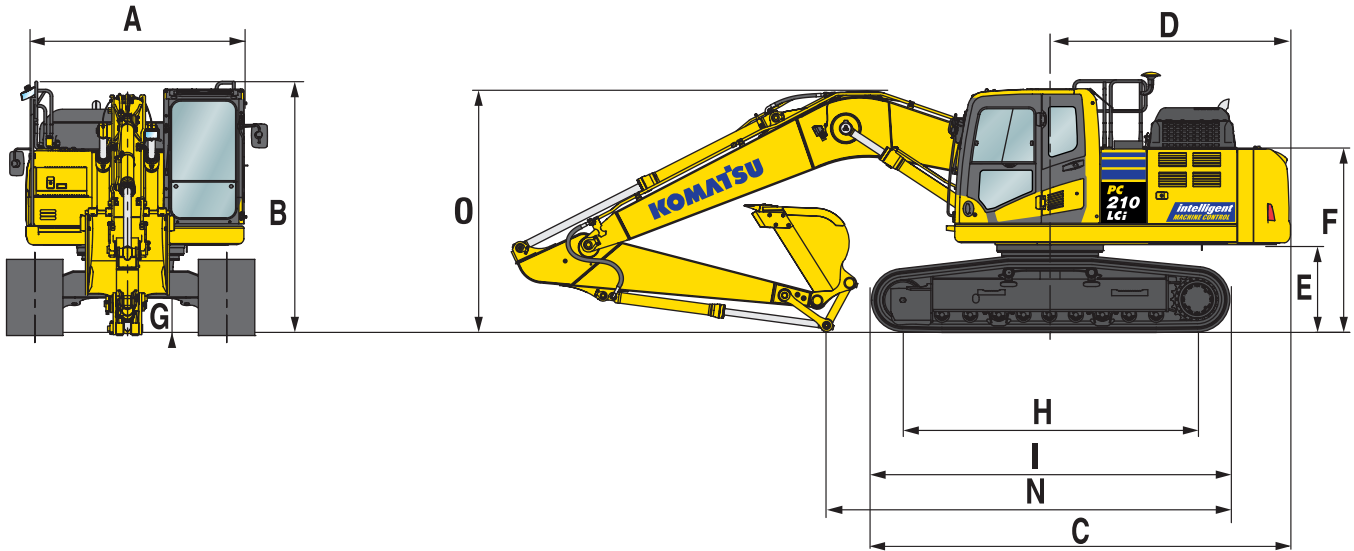
PLANT RENTAL • HAULAGE • SALES • PARTS • SERVICE

01691 770171 0800 515155

sales@ridgwayrentals.com www.ridgwayrentals.com

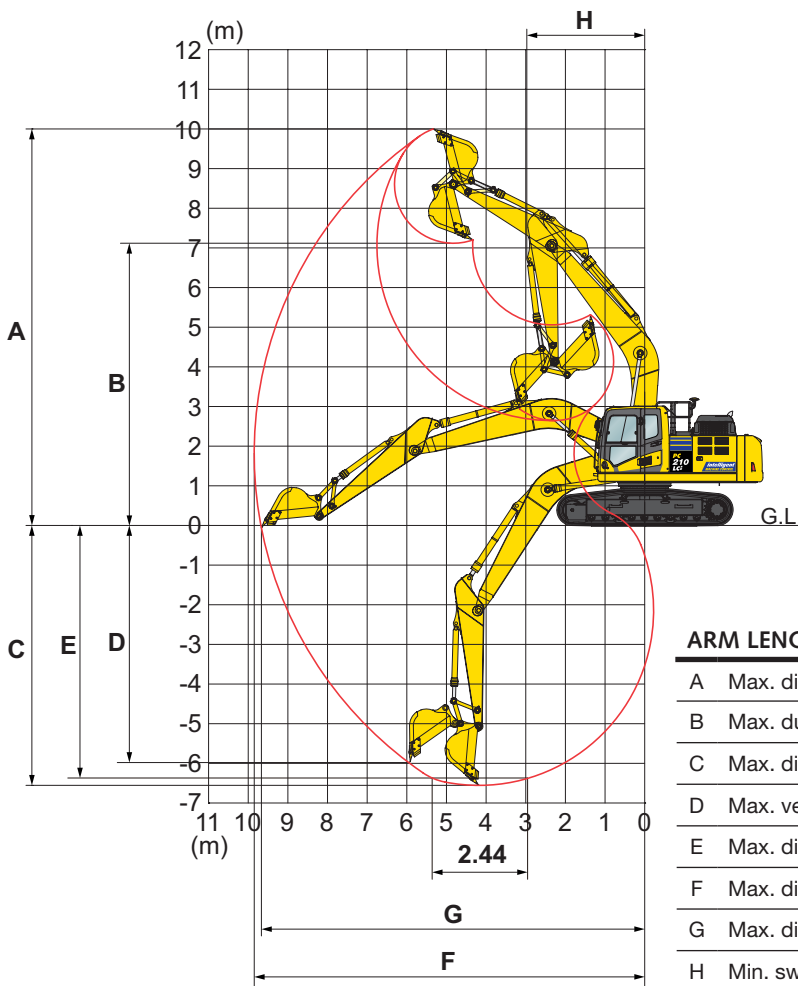


Komatsu PC210LCi-11 Excavator Intelligent Machine Control Excavator



MACHINE DIMENSIONS

A	Overall width of upper structure	2.850 mm
B	Overall height (top of cab)	3.045 mm
	Overall height (handrail)	3.135 mm
C	Overall length of basic machine	5.135 mm
D	Tail length	2.910 mm
	Tail swing radius	2.940 mm
E	Clearance under counterweight	1.085 mm
F	Machine tail height	2.250 mm
G	Ground clearance	440 mm
H	Tumbler centre distance	3.655 mm
I	Track length	4.450 mm



ARM LENGTH

2,9 m

A	Max. digging height	10.000 mm
B	Max. dumping height	7.110 mm
C	Max. digging depth	6.620 mm
D	Max. vertical wall digging depth	5.980 mm
E	Max. digging depth of cut for 2,44 m level	6.370 mm
F	Max. digging reach	9.875 mm
G	Max. digging reach at ground level	9.700 mm
H	Min. swing radius	3.040 mm