

# RIDGWAY Rentals

PLANT RENTAL • HAULAGE • SALES • PARTS • SERVICE

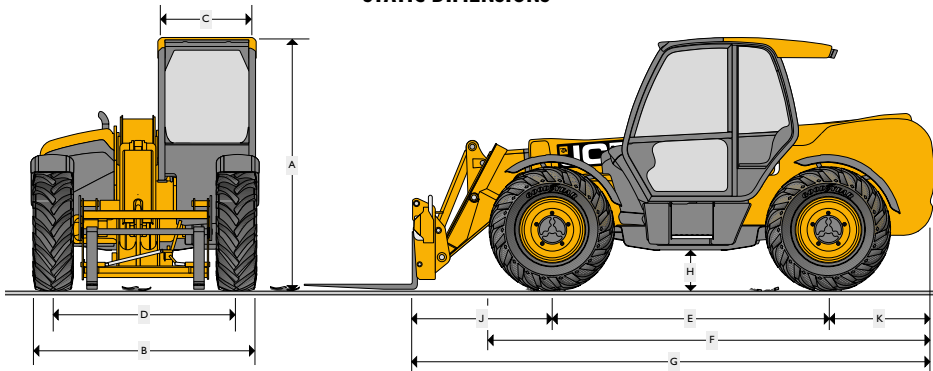
01691 770171 0800 515155

sales@ridgwayrentals.com www.ridgwayrentals.com



## JCB 540-140 Hi Viz 14 Metre Reach Telehandler

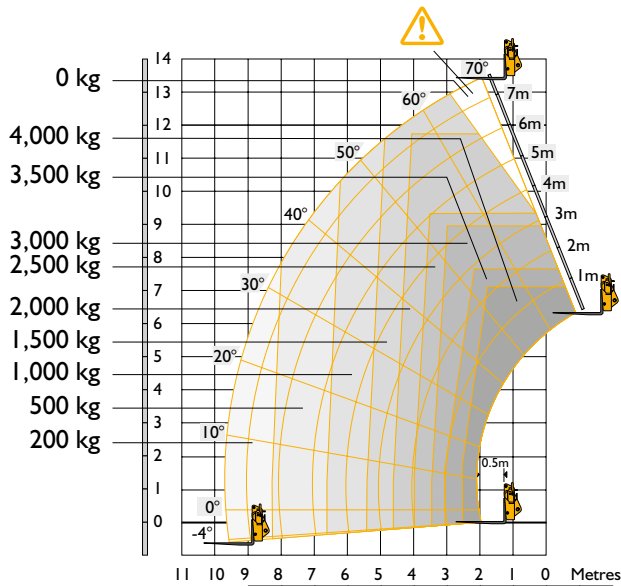
### STATIC DIMENSIONS



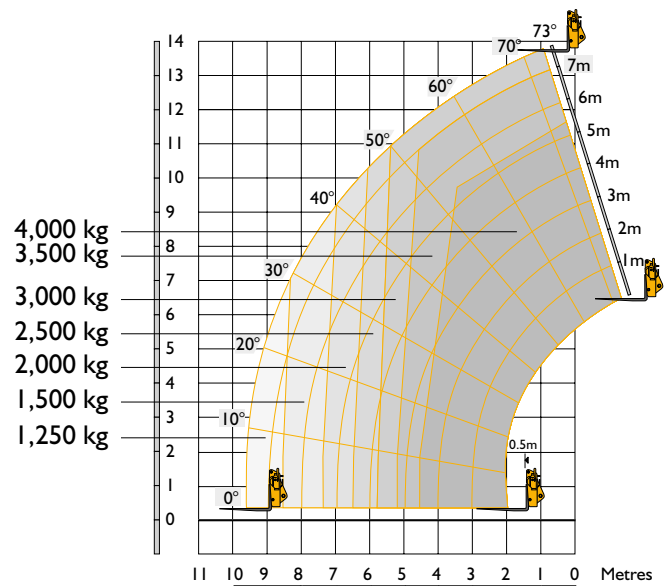
\* Type dependent

Machine model	540-140 HiViz	
A Overall height	m	2.59
B Overall width (over tyres)*	m	2.35
C Inside width of cab	m	0.94
D Front track	m	1.90
E Wheelbase	m	2.75
F Overall length to front tyres	m	4.74
G Overall length to front carriage	m	6.23
H Ground clearance	m	0.40
J Front wheel centre to carriage	m	2.11
K Rear wheel centre to rear face	m	1.37
Overall width with stabilisers fully deployed	m	2.57
Outside turn radius (over tyres)	m	3.75
Carriage rollback angle	degrees	37.0
Carriage dump angle	degrees	12.5
Weight	kg	10880
Tyres		15.5/80-24

### Stabilisers retracted Sway



### Stabilisers extended Sway



Maximum lift capacity	kg	4000	4000
Lift capacity to full height	kg	1500	3000
Lift capacity at full reach	kg	200	1250
Lift height	m	12.89	13.78
Reach at maximum lift height	m	3.09	1.01
Maximum forward reach	m	9.70	9.64
Reach with 1 tonne load	m	6.61	9.64
Placing height	m	12.40	13.30

Complies with stability test EN 1459 Annex B. Chassis Levelling (Sway) with stabilisers retracted (Sway angle  $\pm 9^\circ$ ).