

RIDGWAY Rentals

PLANT RENTAL • HAULAGE • SALES • PARTS • SERVICE

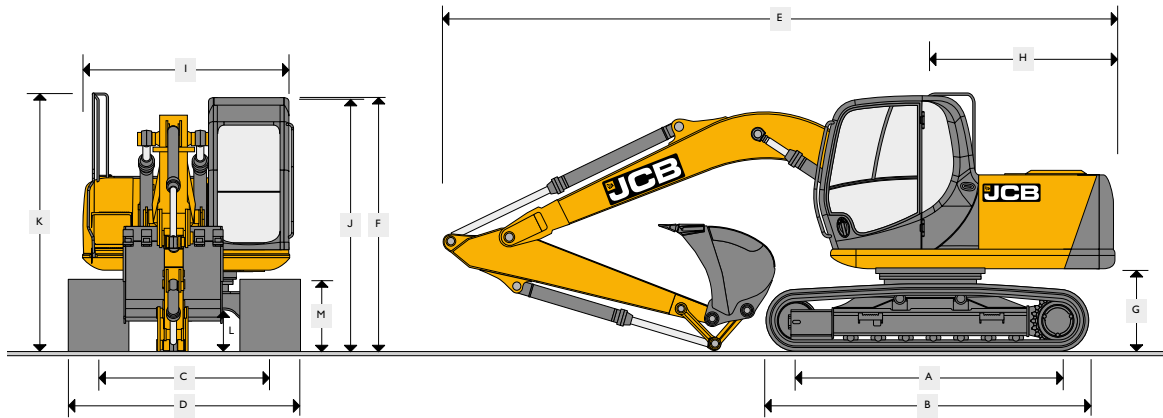
01691 770171 0800 515155

sales@ridgwayrentals.com www.ridgwayrentals.com



JCB JS220 LC 20 Ton Tracked Excavator

Engine Power: 129kW (173hp)
Bucket Capacity: 0.40 – 1.19m³
Operating Weight: 21144 – 22490kg



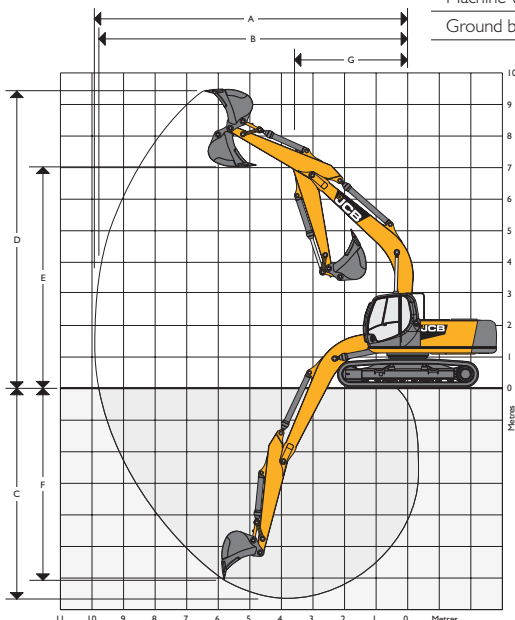
Dimensions in millimetres (ft-in)

| | LC | |
|--|--------------|--------------------------------------|
| A Track length on ground | 3660 (12-0) | G Counterweight clearance 1066 (3-6) |
| B Undercarriage overall length | 4460 (14-8) | H Tailswing radius 2825 (9-3) |
| C Track gauge | 2390 (7-10) | I Width of superstructure 2549 (8-4) |
| D Width over tracks (500mm trackshoes) | - | J Height over cab 2946 (9-8) |
| D Width over tracks (600mm trackshoes) | 2990 (9-10) | K Height over grab rail 3025 (9-11) |
| D Width over tracks (700mm trackshoes) | 3090 (10-2) | L Ground clearance 486 (1-7) |
| D Width over tracks (800mm trackshoes) | 3190 (10-6) | M Track height 885 (2-11) |
| D Width over tracks (900mm trackshoes) | 3290 (10-10) | |

WEIGHTS AND GROUND BEARING PRESSURES

Figures include 1.14cu.m. bucket 760kg (1675lbs), operator, full fuel tank, 600mm track shoes and 2.4m dipper.

| MONOBOOM | | 500mm shoes | 600mm shoes | 700mm shoes | 800mm shoes | 900mm shoes |
|-------------------------|-----------------------------|-------------|---------------|---------------|---------------|---------------|
| JS220LC | | | | | | |
| Machine weight | kg (lb) | - | 21904 (48290) | 22172 (48880) | 22440 (49470) | 22490 (49580) |
| Ground bearing pressure | kg/cm (lb/ft ²) | - | 0.41 (5.83) | 0.36 (5.12) | 0.31 (4.41) | 0.28 (3.98) |



WORKING RANGE – JS220 NLC/SC/LC MONOBOOM

| Boom length 5.70m (18ft 8in) | | | |
|--------------------------------------|-----------|-----------------|------------------|
| Dipper length | | 1.91m (6ft 3in) | 2.40m (7ft 10in) |
| A Maximum digging reach | m (ft-in) | 8.89 (29-2) | |
| B Maximum digging reach (on ground) | m (ft-in) | 8.70 (28-7) | |
| C Maximum digging depth | m (ft-in) | 5.53 (18-2) | |
| D Maximum digging height | m (ft-in) | 8.95 (29-4) | 9.20 (30-2) |
| E Maximum dumping height | m (ft-in) | 6.31 (20-8) | 6.53 (21-5) |
| F Maximum vertical wall cut depth | m (ft-in) | 4.90 (16-1) | 5.47 (17-11) |
| G Minimum swing radius | m (ft-in) | 3.76 (12-4) | 3.71 (12-2) |
| Bucket rotation | deg. | 183° | 183° |
| Dipper tearout (ISO 6015) | kgf (lbf) | 13450 (29650) | 11560 (25485) |
| Dipper tearout with boost (ISO 6015) | kgf (lbf) | 14610 (32210) | 12550 (27670) |
| Bucket tearout (ISO 6015) | kgf (lbf) | 14550 (32080) | 14550 (32080) |
| Bucket tearout with boost (ISO 6015) | kgf (lbf) | 15800 (34835) | 15800 (34835) |