

RIDGWAY Rentals

PLANT RENTAL • HAULAGE • SALES • PARTS • SERVICE

01691 770171 0800 515155

sales@ridgwayrentals.com www.ridgwayrentals.com

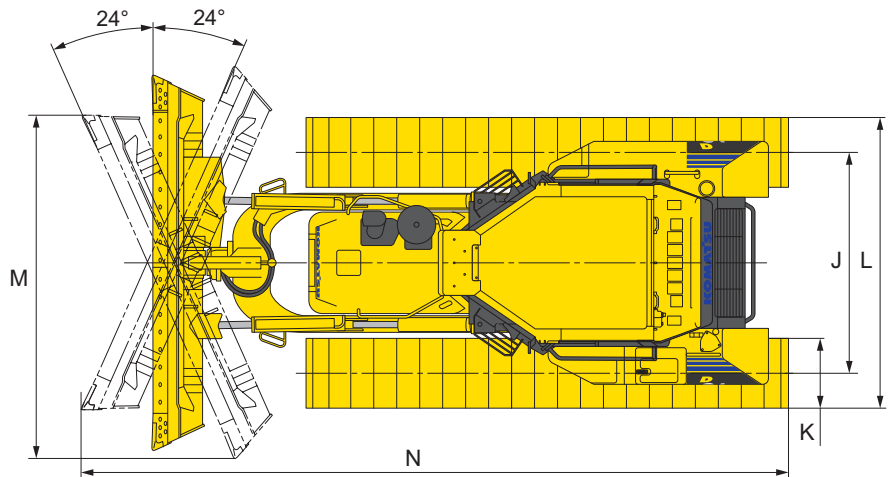


Komatsu D61PXi Intelligent Dozer

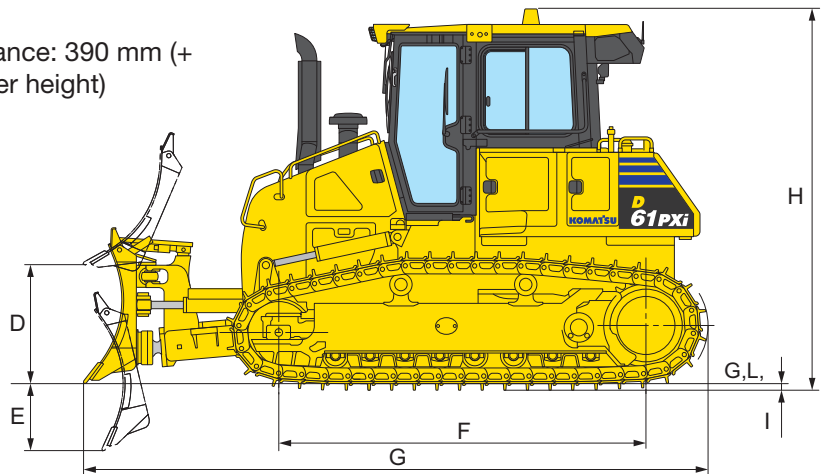
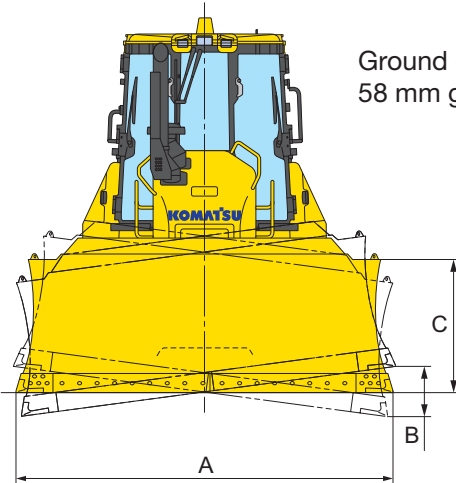
DIMENSIONS

	D61PXi
A	3.860 mm
B	515 mm
C	1.155 mm
D	1.025 mm
E	580 mm
F	3.165 mm
G	5.480 mm
H	3.340 mm
I	57.5 mm
J	2.130 mm
K	860 mm
L	2.990 mm
M	3.530 mm
N	6.220 mm

Ground clearance: 390 mm



Ground clearance: 390 mm (+
58 mm grouser height)



DOZER EQUIPMENT

	Overall length with dozer	Blade width × height	Maximum lift above ground	Maximum drop below ground	Maximum tilt adjustment	Additional weight
3,8 m ³ foldable PAT blade (PXi)*	5.480 mm	3.860 mm × 1.155 mm Folding width: 2.960 mm	1.025 mm	580 mm	515 mm	+ 260 kg

Blade capacities are based on the SAE recommended practice J1265.

* Applicable only to light duty jobs.