

RIDGWAY Rentals

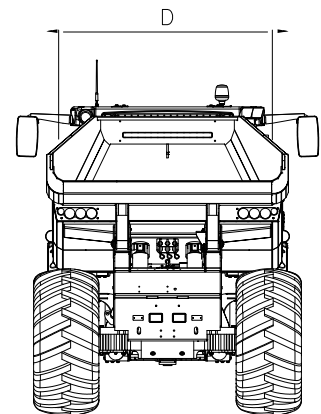
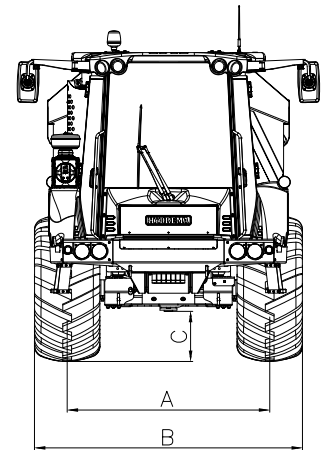
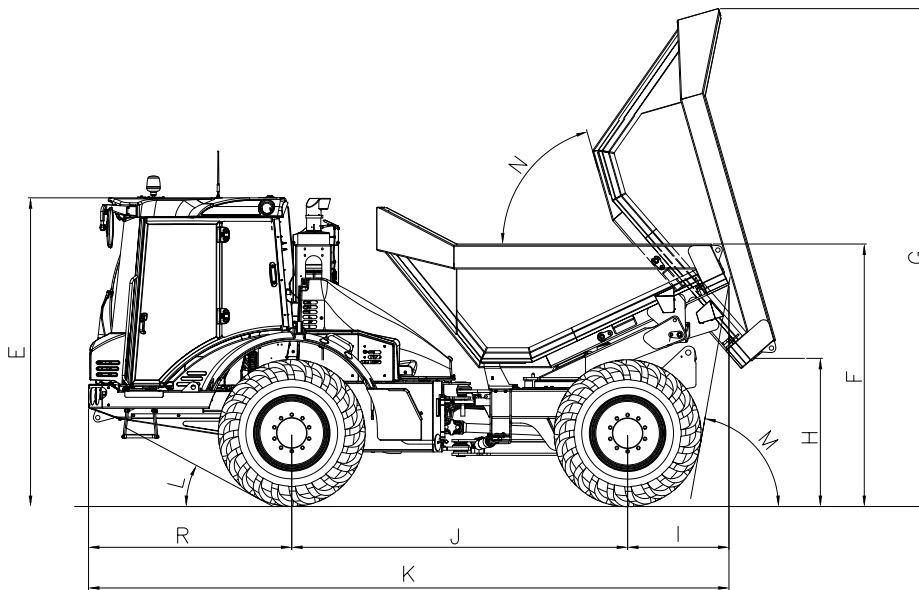
PLANT RENTAL • HAULAGE • SALES • PARTS • SERVICE

01691 770171 0800 515155

sales@ridgwayrentals.com www.ridgwayrentals.com

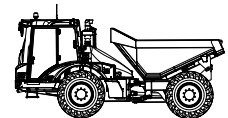


Hydrema 912F Dump Truck

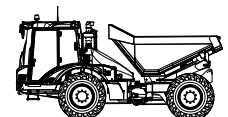


		STD. TIP	MULTITIP	MULTICHAS.
Tires		600/55-26,5	600/55-26,5	600/55-26,5
Total weight	kg	17270	17730	18000
Unladen weight	kg	7270	7730	6100
Load capacity	kg	10000	10000	11900
Body capacity	m ³	5.6	5.6	-
Turning radius	m	6.1	6.1	6,1
Ground pressure (loaded)	kPa	122	123	-
Suspended front axle				
A. Track	mm	1860	1860	1860
B. Total width	mm	2470	2470	2470
C. Clearance	mm	450	450	450
D. Dump truck body width	mm	2210	2210	-
E. Total height	mm	2750	2750	2750
F. Loading height	mm	2170	2320	-
G. Height with raised body	mm	4215	4450	-
H. Tipping clearance	mm	1050	1200	-
I. Overhang, rear	mm	1000	920	-
J. Wheel base, bogie	mm	3080	3080	3080
K. Length	mm	5870	5950	5650
L. Approach angle, front	°	27	27	27
M. Approach angle, rear	°	73	73	-
N. Tipping angle	°	75	67	-
R. Overhang, front	mm	1870	1870	-

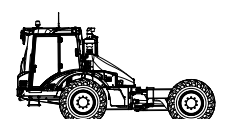
Std. tip (rear tip)



180° MultiTip



MultiChassis



MultiChassis w/ 180° MultiTip

