

RIDGWAY Rentals

PLANT RENTAL • HAULAGE • SALES • PARTS • SERVICE

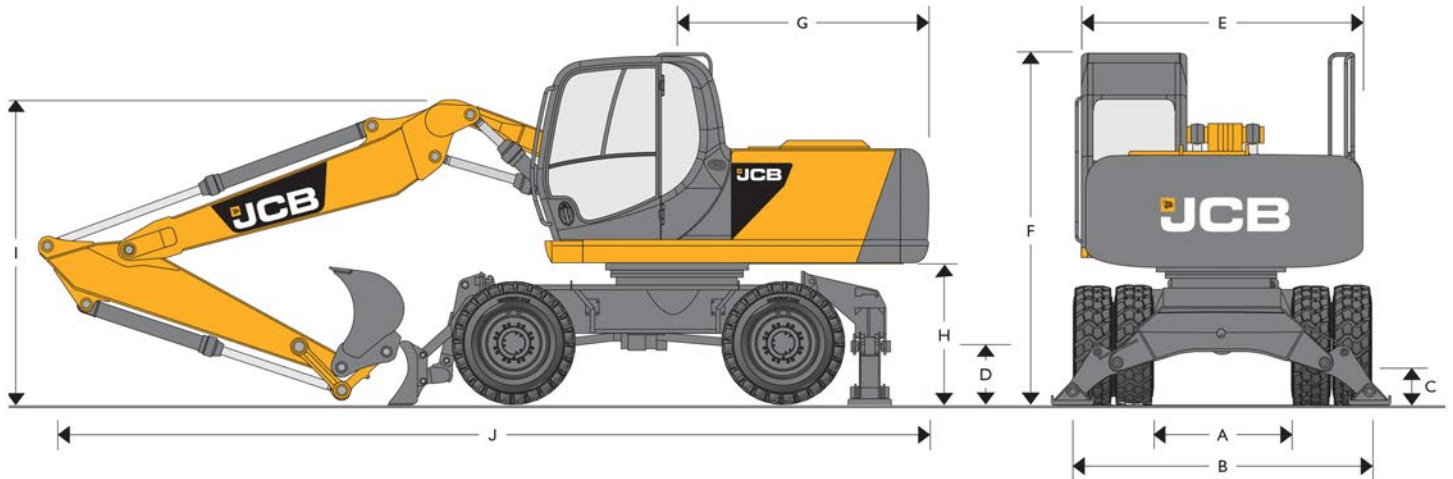
01691 770171 0800 515155

sales@ridgwayrentals.com www.ridgwayrentals.com



JCB JS145 W - Rubber Duck

MAX. OPERATING WEIGHT: 15522 kg (34220 lb) ENGINE POWER: 97 kW (130 hp)



Dimensions in millimetres (ft-in)	
A Internal width between dual wheels	1330 (4-4)
B External width over dual wheels	2490 (8-2)
C Ground clearance	350 (1-2)
D Height to axle centre line dual wheels	498 (1-7)
Height to axle centre line single wheels	519 (1-8)
E Overall width (handrail removed)	2480 (8-2)
F Height over cab	3155 (10-4)
G Tail length	2135 (7-0)
H Clearance under counterweight	1240 (4-1)

Monoboom 4.7m (15ft 4in)



Dipper length		3.0m (9ft 10in)
I Transport boom height	mm (ft-in)	3040 (10-0)
J Transport length	mm (ft-in)	7715 (25-4)

Boom



Dipper length		3.00m
A Max digging reach	mm (ft-in)	8800 (28-10)
B Max digging reach (on ground)	mm (ft-in)	8585 (28-2)
C Max digging depth	mm (ft-in)	5675 (18-7)
D Max digging height	mm (ft-in)	9775 (32-0)
E Max loadover height	mm (ft-in)	7400 (24-3)
F Max vertical wall cut depth	mm (ft-in)	5050 (16-6)
G Min swing radius	mm (ft-in)	2410 (7-9)
Bucket rotation		182°
Dipper tearout	kgf (lbf)	6190 (13650)
Dipper tearout with boost	kgf (lbf)	6700 (14770)
Bucket tearout	kgf (lbf)	7720 (17020)
Bucket tearout with boost	kgf (lbf)	8350 (18400)

