

RIDGWAY Rentals

PLANT RENTAL • HAULAGE • SALES • PARTS • SERVICE

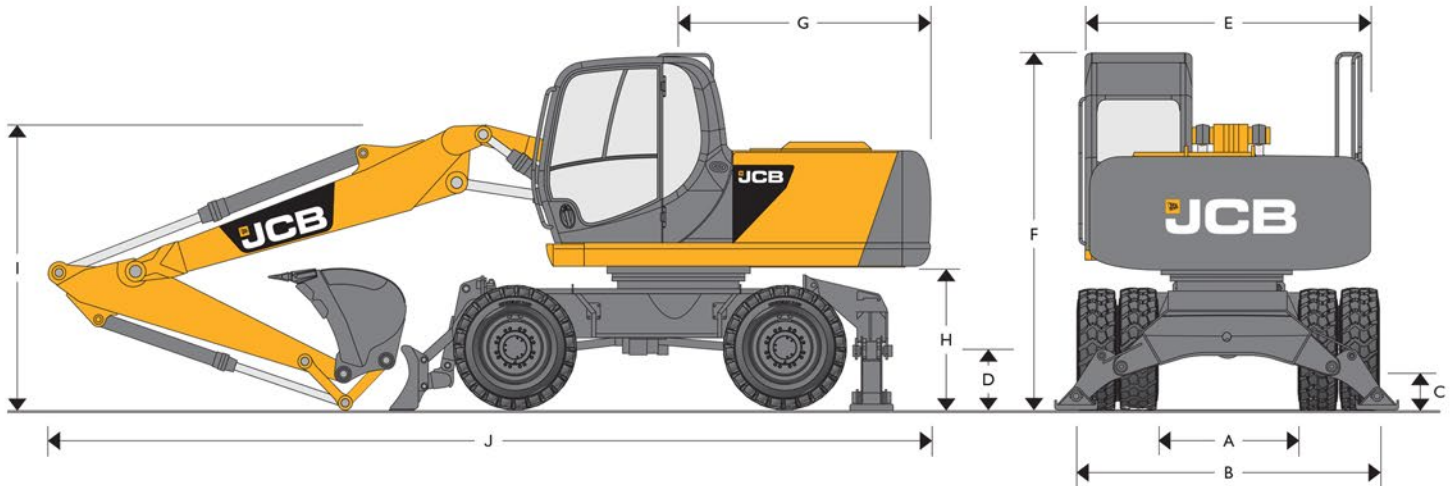
01691 770171 0800 515155

sales@ridgwayrentals.com www.ridgwayrentals.com



JCB JS160 W - Rubber Duck

MAX. OPERATING WEIGHT: 17820 kg (39286 lb) ENGINE POWER: 97 kW (130 hp)



Dimensions in millimetres (ft-in)		
A	Internal width between dual wheels	1330 (4-4)
B	External width between dual wheels	2490 (8-2)
C	Ground clearance	350 (1-1)
D	Height to axle centre line dual wheels	498 (1-7)
	Height to axle centre line single wheels	519 (1-8)
E	Overall width (handrail removed)	2480 (8-2)
F	Height over cab	3195 (10-5)
G	Tail length	2330 (7-4)
H	Clearance under counterweight	1270 (4-2)

Monoboom

Dipper length		3.05m (10ft 0in)
I	Transport boom height	mm (ft-in) 3240 (10-7)
J	Transport length	mm (ft-in) 8446 (27-3)



Boom

Dipper arm		3.05m (10ft 0in)
A	Max digging reach	mm (ft-in) 9352 (30-8)
B	Max digging reach (on ground)	mm (ft-in) 9163 (30-1)
C	Max digging depth	mm (ft-in) 6451 (21-2)
D	Max digging height	mm (ft-in) 9688 (31-9)
E	Max loadover height	mm (ft-in) 7174 (23-6)
F	Max vertical wall cut depth	mm (ft-in) 4839 (15-11)
G	Min swing radius	mm (ft-in) 2971 (9-9)
	Bucket rotation	183°
	Dipper tearout	kgf (lbf) 7470 (16470)
	Dipper tearout with boost	kgf (lbf) 8100 (17860)
	Bucket tearout	kgf (lbf) 10400 (22930)
	Bucket tearout with boost	kgf (lbf) 10740 (23680)

