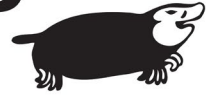


RIDGWAY Rentals

PLANT RENTAL • HAULAGE • SALES • PARTS • SERVICE

01691 770171 0800 515155

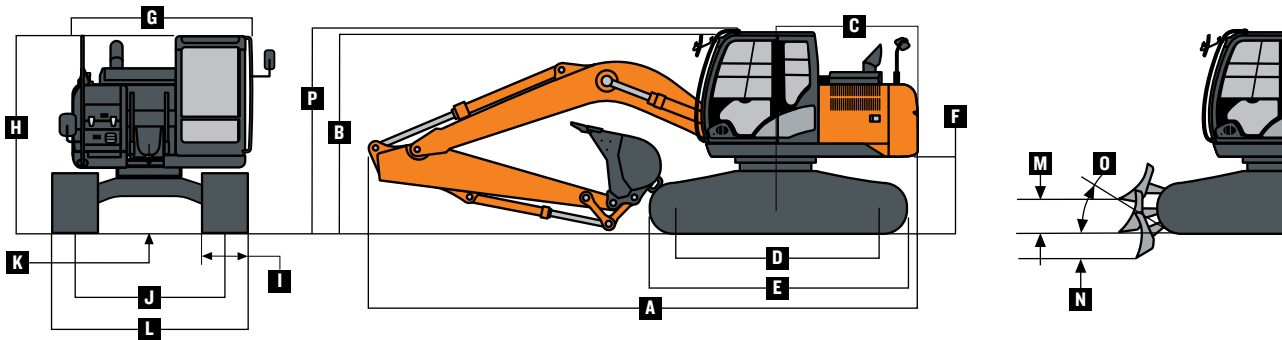
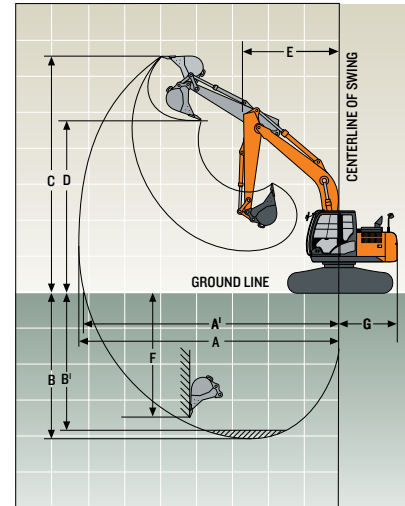
sales@ridgwayrentals.com www.ridgwayrentals.com



Hitachi ZX130 Excavator

Operating Dimensions

Arm Length	2.52 m (8 ft. 3 in.)	3.01 m (9 ft. 11 in.)
Arm Digging Force		
SAE	67 kN (14,991 lb.)	60 kN (13,470 lb.)
ISO	69 kN (15,476 lb.)	62 kN (13,845 lb.)
Bucket Digging Force		
SAE	91 kN (20,525 lb.)	91 kN (20,525 lb.)
ISO	104 kN (23,435 lb.)	104 kN (23,435 lb.)
A Maximum Reach	8.32 m (27 ft. 4 in.)	8.79 m (28 ft. 10 in.)
A' Maximum Reach at Ground Level	8.20 m (26 ft. 11 in.)	8.67 m (28 ft. 5 in.)
B Maximum Digging Depth	5.57 m (18 ft. 3 in.)	6.06 m (19 ft. 11 in.)
B' Maximum Digging Depth at 2.44-m (8 ft.) Flat Bottom	5.35 m (17 ft. 7 in.)	5.88 m (19 ft. 3 in.)
C Maximum Cutting Height	8.60 m (28 ft. 3 in.)	8.93 m (29 ft. 4 in.)
D Maximum Dumping Height	6.19 m (20 ft. 4 in.)	6.52 m (21 ft. 5 in.)
E Minimum Swing Radius	2.40 m (7 ft. 10 in.)	2.62 m (8 ft. 7 in.)
F Maximum Vertical Wall	5.02 m (16 ft. 6 in.)	5.50 m (18 ft. 1 in.)
G Tail Swing Radius	2.19 m (7 ft. 2 in.)	2.19 m (7 ft. 2 in.)



Machine Dimensions

A Overall Length w/ Arm	2.52 m (8 ft. 3 in.)	3.01 m (9 ft. 11 in.)	J Gauge Width	1.99 m (6 ft. 6 in.)	
	7.70 m (25 ft. 3 in.)	7.71 m (25 ft. 4 in.)	K Ground Clearance	410 mm (16 in.)	
B Overall Height w/ Arm	2.52 m (8 ft. 3 in.)	2.75 m (9 ft.)	L Overall Width w/ Triple Semi-Grouser Shoes	600 mm (24 in.)	
	3.01 m (9 ft. 11 in.)	2.74 m (9 ft.)		2.59 m (8 ft. 6 in.)	
C Rear-End Length/Swing Radius	2.19 m (7 ft. 2 in.)	2.75 m (9 ft.)		700 mm (28 in.)	
D Distance Between Idler/Sprocket Centerline	2.88 m (9 ft. 5 in.)	2.74 m (9 ft.)	M Blade Lift Height	523 mm (21 in.)	
E Undercarriage Length	3.58 m (11 ft. 9 in.)	2.74 m (9 ft.)	N Blade Cut Below Grade	488 mm (19 in.)	
F Counterweight Clearance	840 mm (33 in.)	2.74 m (9 ft.)	O Blade Lift Angle	27 deg.	
G Upperstructure Width	2.46 m (8 ft. 1 in.)	2.74 m (9 ft.)		Blade Length	
H Cab Height	2.79 m (9 ft. 2 in.)	2.74 m (9 ft.)		2.51 m (8 ft. 3 in.)	
I Track Width w/ Triple Semi-Grouser Shoes	600 mm (24 in.)	2.74 m (9 ft.)		Blade Height	
	700 mm (28 in.)	2.74 m (9 ft.)		523 mm (21 in.)	
				Blade Width w/ Triple Semi-Grouser Shoes	
				600 mm (24 in.)	2590 mm (8 ft. 6 in.)
				700 mm (28 in.)	2690 mm (8 ft. 10 in.)
				P Transport Height (Pin in transport position)	
				2.52 m (8 ft. 3 in.)	2.87 m (9 ft. 5 in.)
				3.01 m (9 ft. 11 in.)	2.87 m (9 ft. 5 in.)