

RIDGWAY Rentals

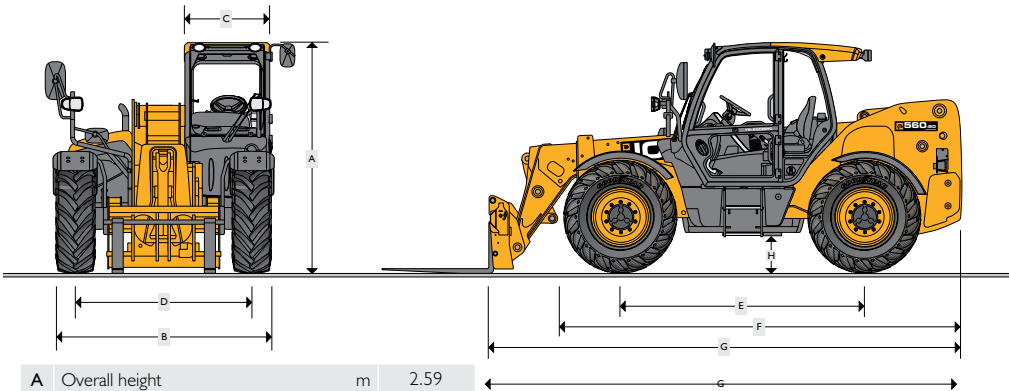
PLANT RENTAL • HAULAGE • SALES • PARTS • SERVICE

01691 770171 0800 515155

sales@ridgwayrentals.com www.ridgwayrentals.com



JCB 560-80 Wastemaster Telehandler



A	Overall height	m	2.59
B	Overall width (over tyres)*	m	2.54
C	Inside width of cab	m	0.94
D	Front track	m	1.98
E	Wheelbase	m	2.75
F	Overall length to front of tyres	m	4.42
G	Overall length to front of carriage	m	5.27
H	Ground clearance	m	0.4
	Outside turn radius (over tyres)	m	4.1
	Carriage rollback angle	degrees	47
	Carriage dump angle	degrees	33
	Weight**	kg	11040
	Tyres		480/80 R26

* Dependant upon tyre specified.

** Dependant upon tyre specified and machine specification.

Maximum lift capacity	kg	6000	Reach at maximum lift height	m	0.92
Lift capacity to full height	kg	3000	Maximum forward reach	m	4.47
Lift capacity at full reach	kg	1750	Reach with 1 tonne load	m	4.47
Lift height	m	7.9	Placing height	m	7.25

Complies with stability test EN 1459 Annex B.

