

# RIDGWAY Rentals

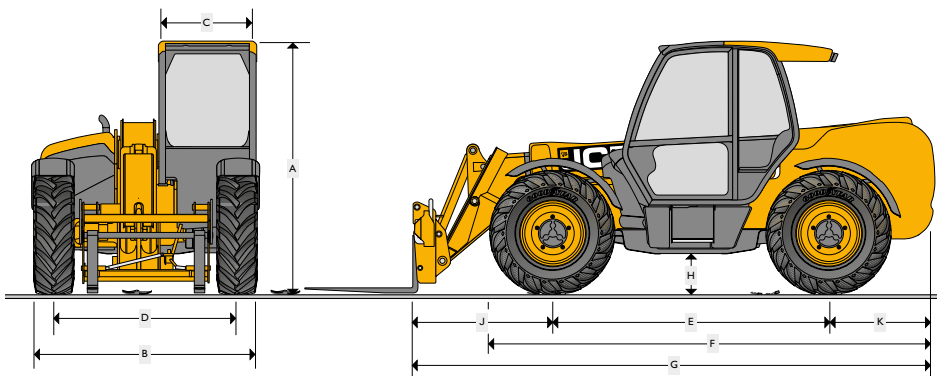
PLANT RENTAL • HAULAGE • SALES • PARTS • SERVICE

**01691 770171 0800 515155**

sales@ridgwayrentals.com www.ridgwayrentals.com



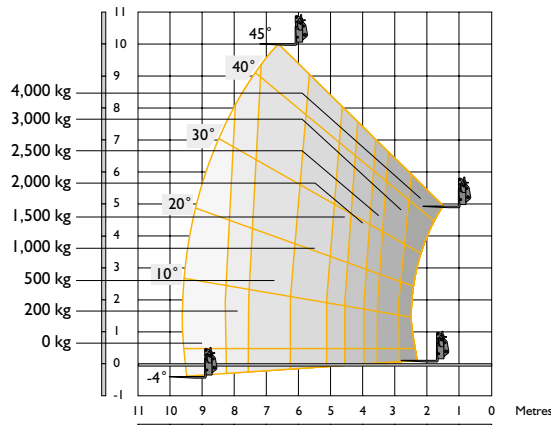
## JCB 540-200 20 Metre Reach Telehandler



		540-200
A	Overall height	m 2.72
B	Overall width (over tyres)*	m 2.44
C	Inside width of cab	m 0.94
D	Front track	m 1.97
E	Wheelbase	m 2.75
F	Overall length to front tyres	m 5.09
G	Overall length to front carriage	m 6.81
H	Ground clearance	m 0.41
J	Front wheel centre to carriage	m 2.39
K	Rear wheel centre to rear face	m 1.67
	Overall width with stabilisers fully deployed	m 3.82
	Outside turn radius (over tyres)	m 4.1
	Carriage rollback angle	degrees 39
	Carriage dump angle	degrees 8.8
	Weight	kg 12985
	Tyres	17.5-25

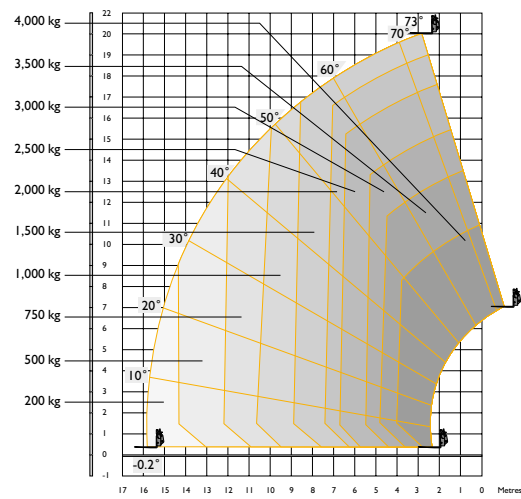
\* Type dependent

540-200 Stabilisers retracted Sway



Maximum lift capacity	kg	4000
Lift capacity to full height	kg	500
Lift capacity at full reach	kg	0
Lift height	m	10.27
Reach at maximum lift height	m	6.42
Maximum forward reach	m	9.63
Reach with 1 tonne load	m	6.25
Placing height	m	9.1

540-200 Stabilisers extended Sway



Maximum lift capacity	kg	4000
Lift capacity to full height	kg	1500
Lift capacity at full reach	kg	200
Lift height	m	20
Reach at maximum lift height	m	2.82
Maximum forward reach	m	15.9
Reach with 1 tonne load	m	10.65
Placing height	m	19.1