

# RIDGWAY Rentals

PLANT RENTAL • HAULAGE • SALES • PARTS • SERVICE

01691 770171 0800 515155

sales@ridgwayrentals.com www.ridgwayrentals.com

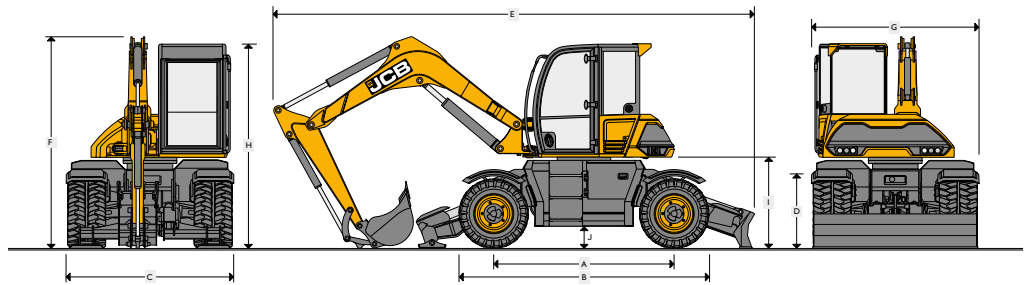


## JCB JS110W Hydradig Wheeled Excavator

MAX. OPERATING WEIGHT: 11457kg ENGINE POWER: 109 hp TRAVEL SPEED: 40kp/h

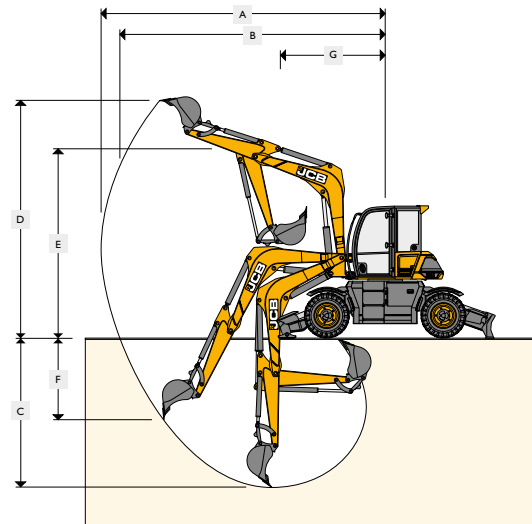
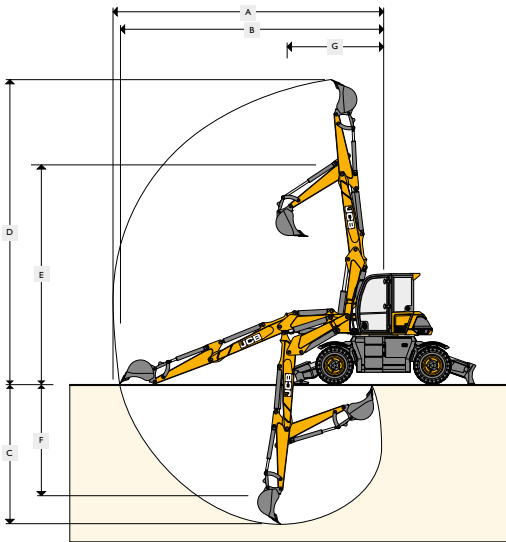
### STATIC DIMENSIONS

A	Wheelbase	mm	2650
B	Length over tyres	mm	3689
C	Width over tyres	mm	2420
D	Height over tyres	mm	1016
G	Transport width	mm	2440
H	Height over cab	mm	2988
I	Clearance under counterweight	mm	1319
J	Ground clearance	mm	298



Dipper lengths	TAB			Dipper lengths	Monoboom				
	1.65m	2.0m	2.25m		1.65m	2.0m	2.25m		
E Rooding length	mm	5899	5899	5899	E Rooding length	mm	6406	6406	6406
E Transport length	mm	7654	7750	7730	E Transport length	mm	7050	7022	6944
F Rooding height	mm	3907	3907	3907	F Rooding height	mm	3973	3973	3973
F Transport height	mm	2988	2988	2988	F Transport height	mm	3132	3305	3437

\*Machine is specified with a rear dozer blade. Please check chassis options for alternative specification dimensions.



Dipper length		1.65m	2.0m	2.25m	
A	Max digging reach	mm	7420	7770	8020
B	Max digging reach (on ground)	mm	7165	7530	7785
C	Max digging depth	mm	3810	4160	4410
D	Max digging height	mm	8195	8545	8795
E	Max loadover height	mm	6380	6720	6965
F	Max vertical wall cut depth	mm	3000	3315	3540
G	Min swing radius	mm	2675	2920	3100
	Boom swing left	degrees		50	
	Boom swing right	degrees		70	
	Bucket rotation	degrees		184	
	Dipper tearout	kNm	48.3	42.3	39
	Bucket tearout	kNm		60.2	

Dipper length		1.65m	2.0m	2.25m	
A	Max digging reach	mm	6455	6785	7020
B	Max digging reach (on ground)	mm	6085	6445	6695
C	Max digging depth	mm	3370	3720	3970
D	Max digging height	mm	6445	6645	6790
E	Max loadover height	mm	4710	4915	5060
F	Max vertical wall cut depth	mm	1815	2135	2360
G	Min swing radius	mm	2645	2685	2715
	Boom swing left	degrees		50	
	Boom swing right	degrees		70	
	Bucket rotation	degrees		184	
	Dipper tearout	kNm	48.3	42.3	39
	Bucket tearout	kNm		60.2	