

# RIDGWAY Rentals

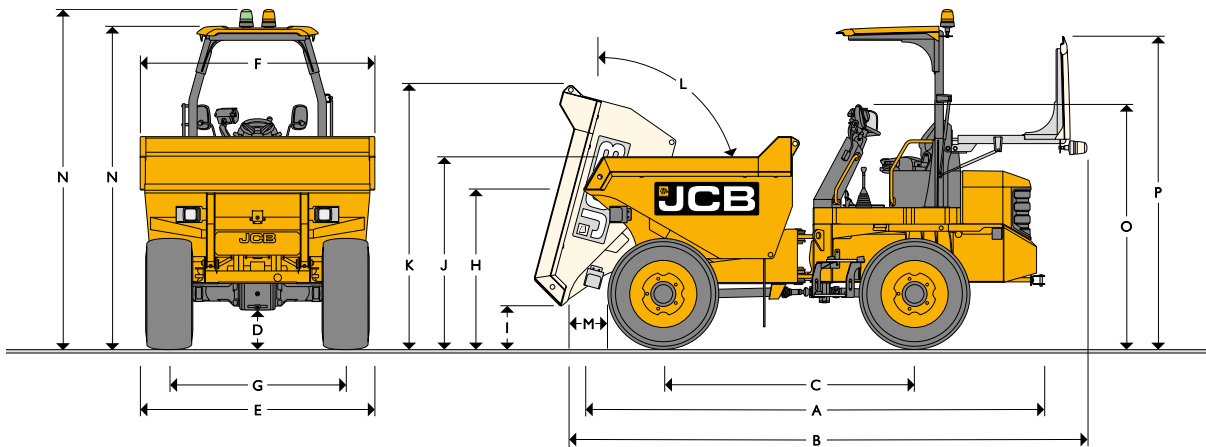
PLANT RENTAL • HAULAGE • SALES • PARTS • SERVICE

**01691 770171 0800 515155**

sales@ridgwayrentals.com www.ridgwayrentals.com



## JCB 6T-2 Site Dumper Stage V Engine



### STATIC DIMENSIONS AND CAPACITIES

A	Overall length	5047	mm	M	Discharge distance front	582	mm
B	Overall length (ROPS or FOPS folded)	5280	mm		Discharge distance side	241	mm
C	Wheelbase	2480	mm		Turning radius to outside of skip	5777	mm
D	Minimum ground clearance	312	mm		Turning radius to outside of tyres	5739	mm
E	Total width (Standard/Narrow tyres)	2255	mm		Steering angle (+/-)	30	Degrees
F	Skip width	2018	mm		Oscillation	10	Degrees
G	Track width (Standard/Narrow tyres)	1850	mm	N	Height to top of ROPS (with/without beacon)	3354/3131	mm
I	Height to front lip of skip (untipped)	1719	mm	N	Height to top of ROPS/FOPS (with/without beacon)	3354/3169	mm
H	Height to front lip of skip (tipped)	1122	mm	O	Height with folded ROPS	2169	mm
J	Load over height	2028	mm	P	Height with folded ROPS/FOPS	2936	mm
K	Height over skip (tipped)	3674	mm	Q	Height to top of cab (with/without beacon)	3296/3014	mm
L	Skip tip angle	70	Degrees				

\*With high tip mechanism raised.

### CAPACITIES

Payload	6000	kg
Operating weight - ISO6016 full tank of fuel & 75kg operator (ROPS)	5070	kg
Operating weight - ISO6016 full tank of fuel & 75kg operator (ROPS/FOPS)	5150	kg
Operating weight - ISO6016 full tank of fuel & 75kg operator (Cab)	5410	kg
Tipping type	Swivel tip	
Skip Capacity (fluid)	1615	l
Skip Capacity (struck)	2514	l
Skip capacity (heaped)	3149	l

### ENGINE

	6T SITESAFE Skip	
Engine model	JCB DieselMAX	
Capacity	4400	cc
Aspiration	Turbocharged	
Cylinders	4	
Max. gross power to SAE J1995/ISO 14396	55 (74)	kW (hp)
Max. torque	440	Nm
Emissions compliance	Stage V	