

RIDGWAY Rentals

PLANT RENTAL • HAULAGE • SALES • PARTS • SERVICE

01691 770171 0800 515155

sales@ridgwayrentals.com www.ridgwayrentals.com



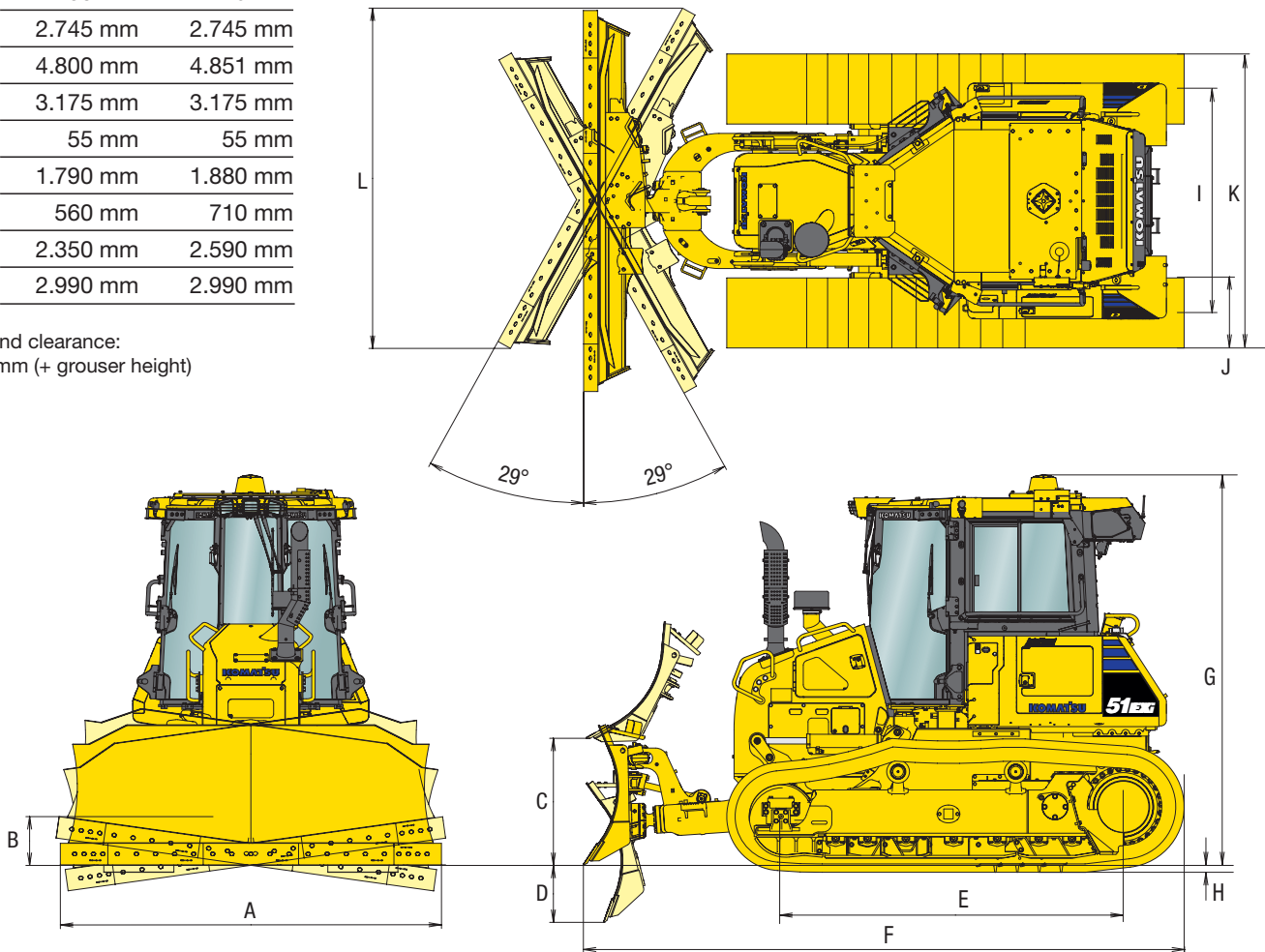
Komatsu D51PXi Dozer

Dozer Hire | Dozer Sales

DIMENSIONS

	D51EXi-24	D51PXi-24
A	3.350 mm	3.350 mm
B	469 mm	469 mm
C	1.010 mm	1.035 mm
D	460 mm	475 mm
E	2.745 mm	2.745 mm
F	4.800 mm	4.851 mm
G	3.175 mm	3.175 mm
H	55 mm	55 mm
I	1.790 mm	1.880 mm
J	560 mm	710 mm
K	2.350 mm	2.590 mm
L	2.990 mm	2.990 mm

Ground clearance:
390 mm (+ grouser height)



DOZER EQUIPMENT

	Overall length with dozer	Blade width × height	Maximum lift above ground	Maximum drop below ground	Maximum tilt adjustment	Blade angle
2,7 m ³ PAT blade (EXi) (option)	4.800 mm	3.045 × 1.120 mm	1.010 mm	460 mm	425 mm	29°
2,9 m ³ PAT blade (EXi) (standard)	4.800 mm	3.350 × 1.120 mm	1.010 mm	460 mm	469 mm	29°
2,9 m ³ PAT blade (PXi) (option)	4.800 mm	3.350 × 1.120 mm	1.010 mm	460 mm	469 mm	29°
3,35 m ³ PAT blade (PXi) (standard)	4.851 mm	3.350 × 1.170 mm	1.035 mm	475 mm	469 mm	29°

Blade capacities are based on the SAE recommended practice J1265.