

# RIDGWAY Rentals



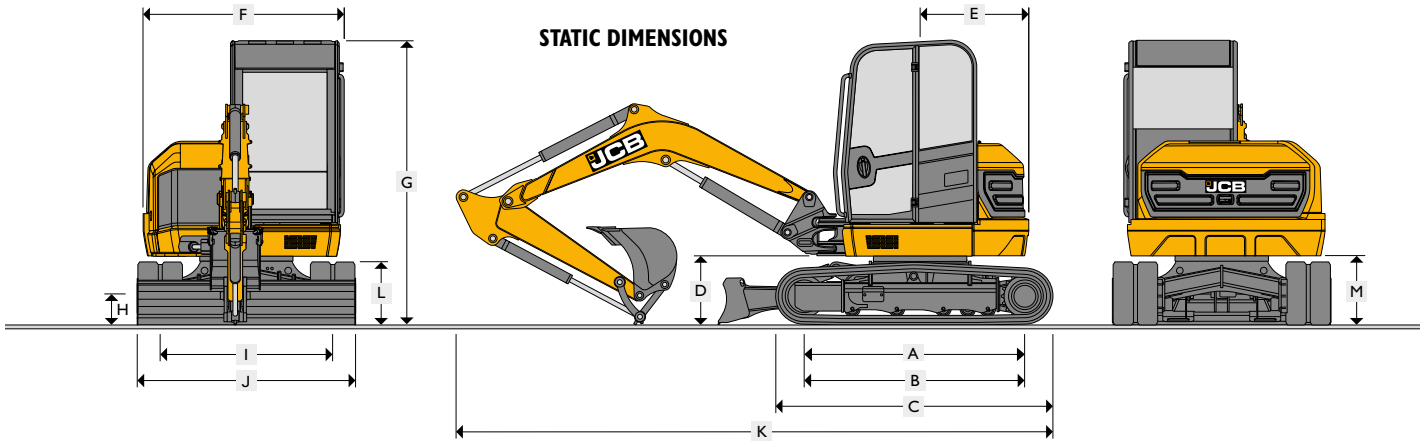
PLANT RENTAL • HAULAGE • SALES • PARTS • SERVICE

01691 770171 0800 515155

sales@ridgwayrentals.com www.ridgwayrentals.com

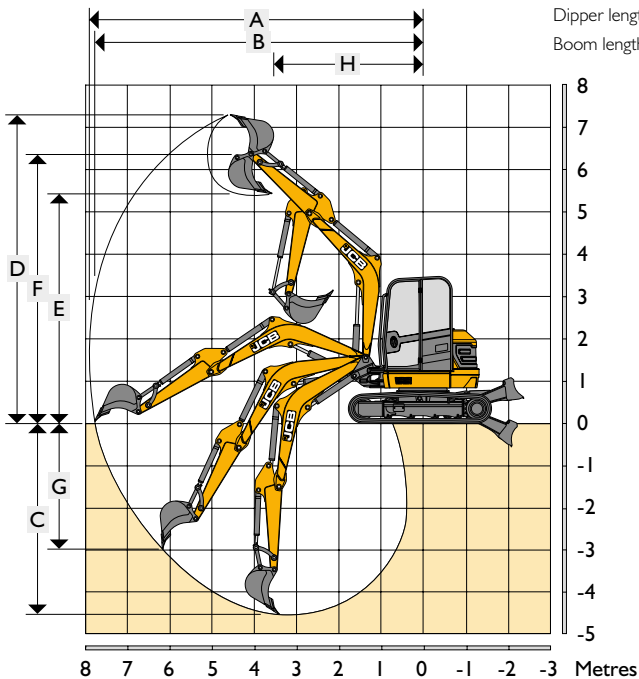


## JCB 57C-1 5 Ton Mini Digger

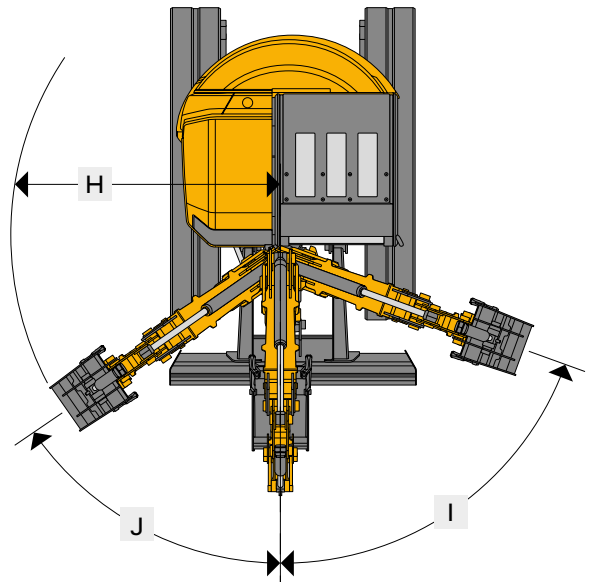


A Sprocket idler centres	1985 mm	E Tailswing radius	1300 mm	J Width over tracks	1950 mm
B Track length on ground	1985 mm	F Overall width of superstructure	1845 mm	K Transport length with standard dipper	5495 mm
C Undercarriage overall length – rubber	2490 mm	G Height over cab	2561 mm	L Track height	560 mm
Undercarriage overall length – steel	2490 mm	H Ground clearance	300 mm	M Counterweight clearance	618 mm
D Kingpost clearance	631 mm	I Track gauge	1550 mm		

### WORKING RANGE



Dipper length 1820 mm  
Boom length 2866 mm



A Max digging reach	6260 mm	D Max digging height	5846 mm	H Min front swing radius (no offset)	2608 mm
B Max digging reach on ground	6144 mm	E Max dump height	4456 mm	Min front swing radius (fully offset)	2155 mm
C Max digging depth – dozer up	3856 mm	F Max height to dipper nose pivot pin	5152 mm	I Boom swing left	70 degrees
Max digging depth – dozer down	4077 mm	G Max vertical wallcut depth	2254 mm	J Boom swing right	55 degrees
				Bucket rotation	181 degrees
				Dipper rotation	121 degrees
				Bucket tearout	42 kN
				Dipper tearout	26 kN
				Slew speed	8.3 rpm