

RIDGWAY Rentals

PLANT RENTAL • HAULAGE • SALES • PARTS • SERVICE

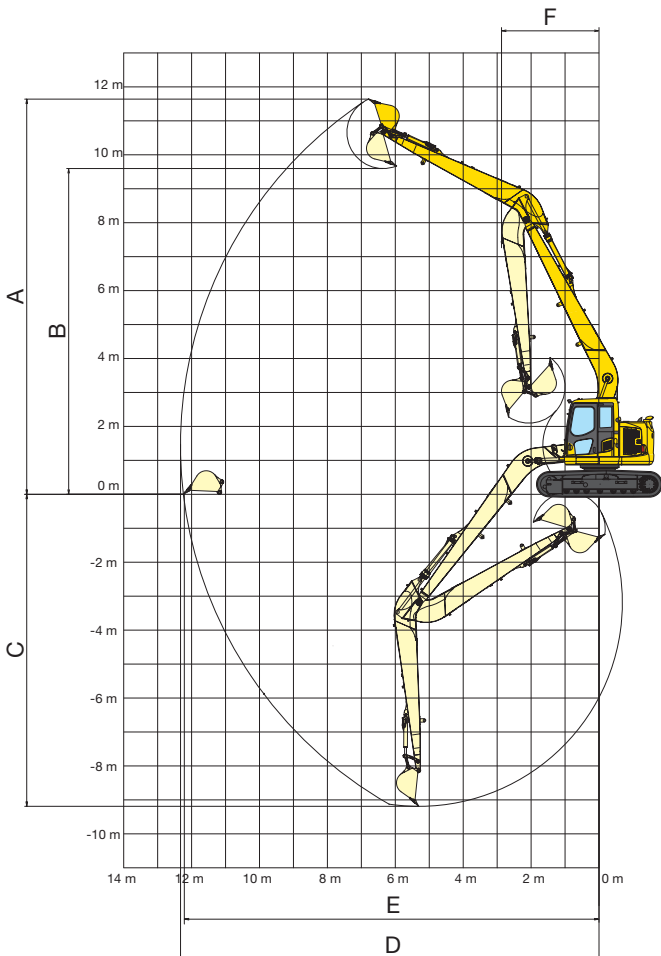
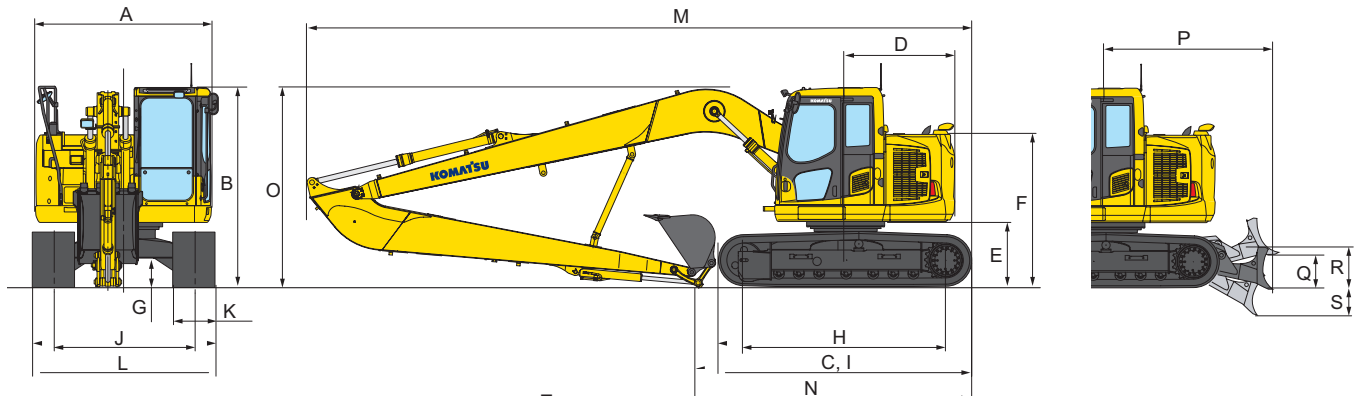
01691 770171 0800 515155

sales@ridgwayrentals.com www.ridgwayrentals.com



Komatsu PC138US Long Reach

Excavator Hire | Excavator Sales



MACHINE DIMENSIONS

A	Overall width of upper structure	2.490 mm
B	Overall height of cab	2.815 mm
C	Overall length of basic machine	3.610 mm
D	Tail length	1.540 mm
	Tail swing radius	1.540 mm
E	Clearance under counterweight	900 mm
F	Machine tail height	2.140 mm
G	Ground clearance	395 mm
H	Tumbler centre distance	2.880 mm
I	Track length	3.610 mm
J	Track gauge	1.990 mm
K	Track shoe width	500, 600, 700 mm
L	Overall track width with 500 mm shoes	2.490 mm
	Overall track width with 600 mm shoes	2.590 mm
	Overall track width with 700 mm shoes	2.690 mm
P	Distance, swing center to blade	2.500 mm
Q	Blade, max. lifting height	470 mm
R	Height of blade	590 mm
S	Blade, max. digging depth	525 mm
	Blade width (with 500 mm shoes)	2.490 mm
	Blade width (with 600 mm shoes)	2.590 mm

SUPER LONG FRONT

PC138US-11

A	Max. digging height	11.610 mm
B	Max. dumping height	9.560 mm
C	Max. digging depth	9.190 mm
D	Max. digging reach	12.320 mm
E	Max. digging reach at ground level	12.200 mm
F	Min. swing radius	2.870 mm

TRANSPORT DIMENSIONS

	Arm length	4.930 mm
	Boom length	6.490 mm
M	Transport length	9.580 mm
N	Length on ground (transport)	4.500 mm
O	Overall height (to top of boom)	2.780 mm