

RIDGWAY Rentals

PLANT RENTAL • HAULAGE • SALES • PARTS • SERVICE

01691 770171 0800 515155

sales@ridgwayrentals.com www.ridgwayrentals.com



JCB 220X Excavator

WORKING RANGE – MONOBOOM 5.7M

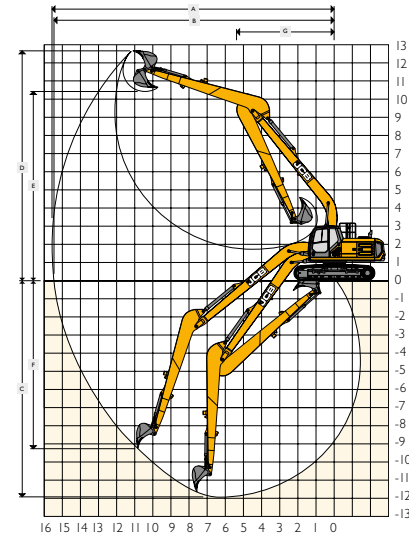
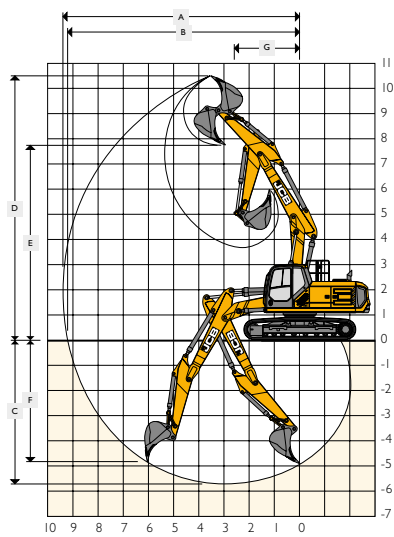
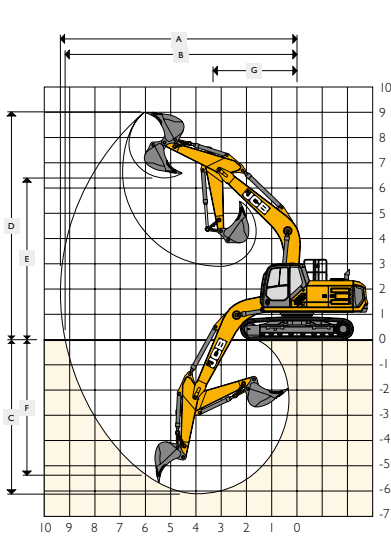
Dipper length:	2.4m	3.0m
A Maximum digging reach	mm 9361	9859
B Maximum digging reach (on ground)	mm 9171	9679
C Maximum digging depth	mm 6096	6694
D Maximum digging height	mm 9002	9087
E Maximum dumping height	mm 6408	6537
F Maximum vertical wall cut depth	mm 5368	5706
G Minimum swing radius	mm 3331	2884
H Minimum dumping height	mm 2906	2306
Bucket rotation	degrees 183	183
Maximum dipper tearout	kN 126.6	106.1
Maximum bucket tearout	kN 150	150

WORKING RANGE – T.A.B. 5.7M

Dipper length:	2.4m	3.0m
A Maximum digging reach	mm 9418	9955
B Maximum digging reach (on ground)	mm 9229	9776
C Maximum digging depth	mm 5716	6297
D Maximum digging height	mm 10514	10890
E Maximum dumping height	mm 7742	8120
F Maximum vertical wall cut depth	mm 4841	5418
G Minimum swing radius	mm 2602	2275
H Minimum dumping height	mm 3683	3008
Bucket rotation	degrees 183	183
Maximum dipper tearout	kN 125	103.4
Maximum bucket tearout	kN 148	148

WORKING RANGE – LR 8.7M

Dipper length:	6.4m
A Maximum digging reach	mm 15628
B Maximum digging reach (on ground)	mm 15514
C Maximum digging depth	mm 11985
D Maximum digging height	mm 12710
E Maximum dumping height	mm 10451
F Maximum vertical wall cut depth	mm 9307
G Minimum swing radius	mm 5427
H Minimum dumping height	mm 1730
Bucket rotation	degrees 183
Maximum dipper tearout	kN 68.4
Maximum bucket tearout	kN 99.8



STATIC DIMENSIONS

A	Track length on ground	mm	3660
B	Undercarriage overall length	mm	4460
C	Track gauge	mm	2390
D	Width over tracks (500mm trackshoes)	mm	2890
D	Width over tracks (600mm trackshoes)	mm	2990
D	Width over tracks (700mm trackshoes)	mm	3090
D	Width over tracks (800mm trackshoes)	mm	3190
D	Width over tracks (900mm trackshoes)	mm	3290
G	Counterweight clearance	mm	1077
H	Tail length	mm	2813
I	Overall width of superstructure	mm	2698
I	Overall width of superstructure (with SIPS)	mm	2828
J	Height over cab	mm	3020
J	Height over XD guard	mm	3120
J	Height over cab (vandal guard – optional)	mm	3330
K	Ground clearance	mm	485
L	Track height	mm	885
M	Tail swing radius	mm	2846
N	Overall height of upper structure	mm	3170

Dipper lengths	2.4m	3.0m
E Transport length	mm 9624	9562
F Transport height (handrail folded – optional)*	mm 3200	3086
F Transport height (fixed handrail – standard)	mm 3200	3170

