

RIDGWAY Rentals

PLANT RENTAL • HAULAGE • SALES • PARTS • SERVICE

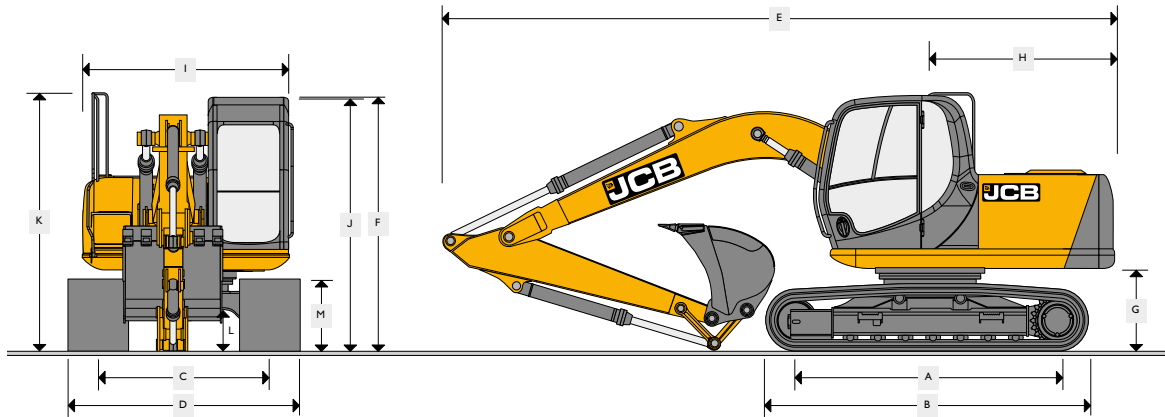
01691 770171 0800 515155

sales@ridgwayrentals.com www.ridgwayrentals.com



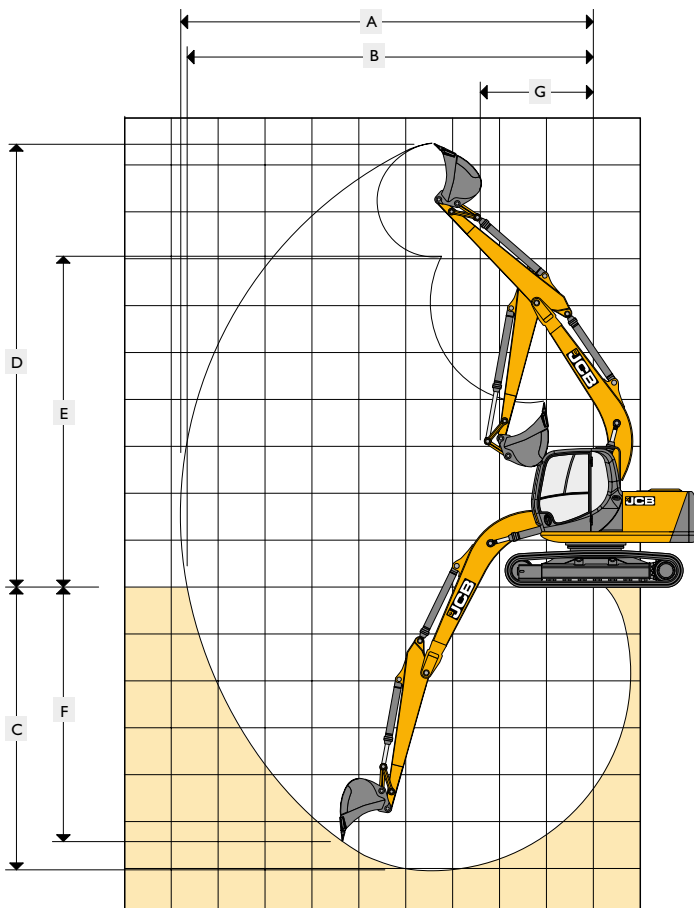
JCB JS131 LC

13 Ton Excavator Hire | 13 Ton Excavator Sales



STATIC DIMENSIONS

A	Track length on ground	2865 mm	G	Counterweight clearance*	905 mm
B	Undercarriage overall length	3605 mm	H	Tail swing radius	2135 mm
C	Track gauge	1990 mm	I	Width of superstructure	2410 mm
D	Width over tracks (500mm trackshoes)	2490 mm	J	Height over cab*	2845 mm
D	Width over tracks (600mm trackshoes)	2590 mm	K	Height over grab rail*	2867 mm
D	Width over tracks (700mm trackshoes)	2690 mm	L	Ground clearance*	425 mm
D	Width over tracks (850mm trackshoes)	2840 mm	M	Track height	811 mm



Engine power: 55kW (74hp)
 Bucket capacity: 0.35 – 0.89m³
 Operating weight: 13991 – 14288kg

WORKING RANGE

	Dipper length:	2.1m	2.5m	2.7m	3.0m
A	Maximum digging reach	mm 7517	8340	8522	8796
B	Maximum digging reach (on ground)	mm 7356	8197	8380	8660
C	Maximum digging depth	mm 4809	5530	5425	6028
D	Maximum digging height	mm 8375	9118	9242	9440
E	Maximum dumping height	mm 6115	6729	6855	7041
F	Maximum vertical wall cut depth	mm 3219	3625	3712	4050
G	Minimum swing radius	mm 2337	2231	2505	2591
	Bucket rotation	deg 182°	182°	182°	182°
	Maximum dipper tearout	kNm 72.5	64.6	63.2	58.7
	Maximum bucket tearout	kNm 91.9	91.9	91.9	91.9