

RIDGWAY Rentals

PLANT RENTAL • HAULAGE • SALES • PARTS • SERVICE

01691 770171 0800 515155

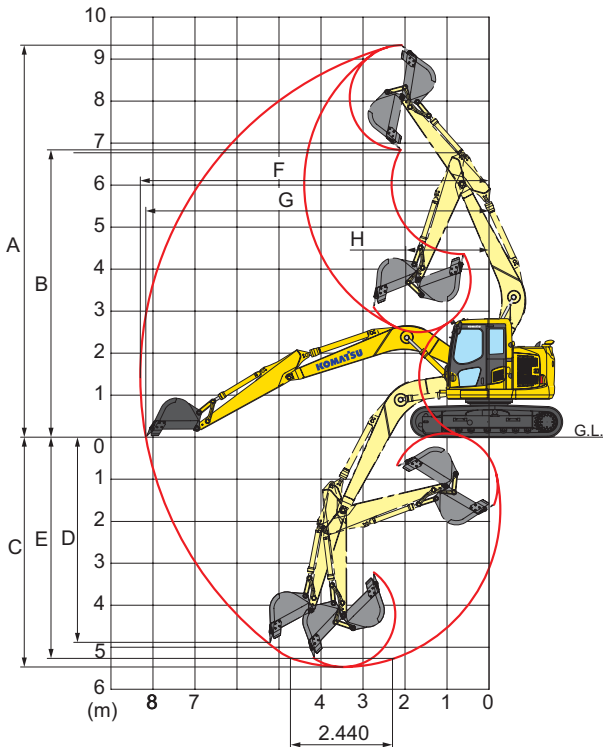
sales@ridgwayrentals.com www.ridgwayrentals.com



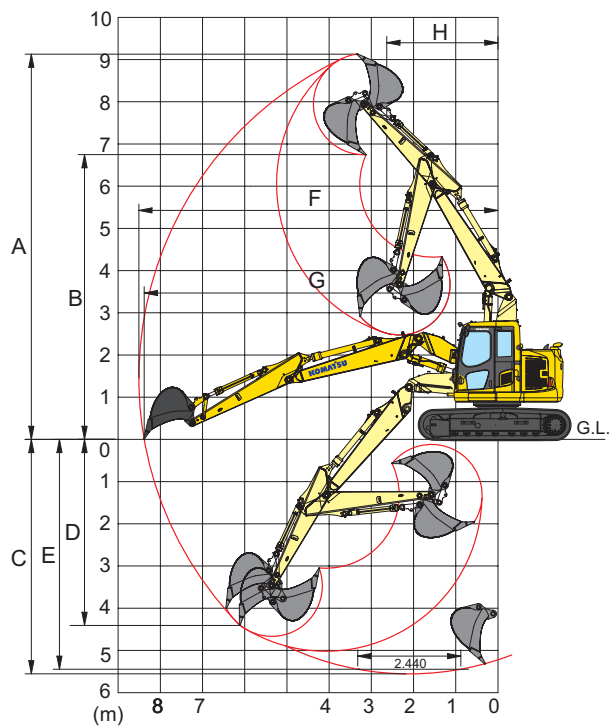
Komatsu PC138US-11

13 Ton Excavator Hire | 13 Ton Excavator Sales

MONO BOOM



TWO-PIECE BOOM



ARM LENGTH	MONO BOOM			2-PIECE BOOM			
	2,5 m	3,0 m	2,5 m	2,5 m	3,0 m	2,5 m	
A Max. digging height	9.340 mm	9.700 mm	9.130 mm	F Max. digging reach	8.300 mm	8.720 mm	8.510 mm
B Max. dumping height	6.840 mm	7.350 mm	6.750 mm	G Max. digging reach	8.180 mm	8.600 mm	8.380 mm
C Max. digging depth	5.480 mm	5.900 mm	5.680 mm	H Min. swing radius	1.980 mm	2.265 mm	2.500 mm
D Max. vertical wall digging depth	4.900 mm	5.340 mm	4.400 mm	Bucket digging force (ISO)	9.500 kgf	9.500 mm	9.320 kgf
E Max. digging depth	5.265 mm	5.715 mm	5.570 mm	Arm crowd force (ISO)	6.300 kgf	5.700 mm	6.180 kgf

TRANSPORT DIMENSIONS	MONO BOOM		TWO-PIECE BOOM
Arm length	2,5 m	3,0 m	2,5 m
A Transport length	7.260 mm	7.160 mm	8.100 mm
B Overall height (to top of boom)	2.850 mm	3.210 mm	-
C Length on ground (transport)	4.400 mm	4.290 mm	4.730 mm

MACHINE DIMENSIONS	
E Overall height of cab	2.815 mm
F Clearance under counterweight	900 mm
G Ground clearance	395 mm
H Tail swing radius	1.480 mm
I Tumbler centre distance	2.880 mm
J Track length	3.610 mm
K Track gauge	1.990 mm
L Overall track width with 500 mm shoes	2.490 mm
Overall track width with 600 mm shoes	2.590 mm
Overall track width with 700 mm shoes	2.690 mm
M Shoe width	500, 600, 700 mm
N Grouser height	20 mm
O Machine tail height	2.140 mm
P Overall width of upper structure	2.490 mm
Q Distance, swing center to rear end	1.480 mm
R Distance, swing center to blade	2.500 mm
S Blade, max. lifting height	470 mm
T Height of blade	590 mm
U Blade, max. digging depth	525 mm
Blade width (with 500 mm shoes)	2.490 mm
Blade width (with 600 mm shoes)	2.590 mm

