

Komatsu WA380-7 Wheeled Loading Shovel

ENGINE POWER
143 kW / 192 HP @ 2.100 rpm

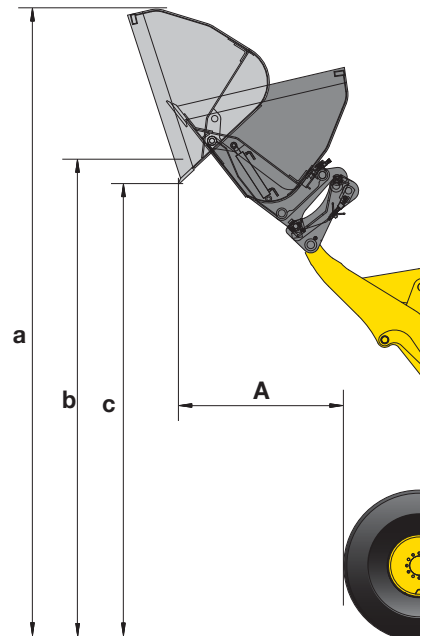
OPERATING WEIGHT
18.510 - 19.715 kg

BUCKET CAPACITY
3,1 - 6,5 m³

MEASUREMENTS AND WORKING SPECIFICATIONS

| | High-dump bucket | Light material bucket | Waste handling bucket |
|--|-----------------------|-----------------------|-----------------------|
| Sales code | BP 2285 | BP 2125 | BP 2291 |
| Bucket mount (direct/quick-coupler) | direct | QC | QC |
| Bucket capacity (heaped, ISO 7546)m ³ | 6,0 | 6,5 | 5,0 |
| Material density | t/m ³ 0,85 | 0,8 | 1,00 |
| Bucket weight | kg 2.420 | 2.400 | 1.840 |
| Bucket width | mm 3.000 | 3.170 | 3.000 |
| Operating weight* | kg 19.715 | 19.700 | 19.135 |
| Rated load | kg 5.100 | 5.200 | 5.310 |
| Static tipping load, straight* | mm 12.735 | 13.135 | 12.985 |
| Static tipping load, 40° articulated* | mm 11.160 | 11.455 | 11.385 |
| Turning radius at bucket edge | mm 7.435 | 7.520 | 7.380 |
| A Reach at 45° | mm 2.645 | 1.640 | 1.400 |
| a Height top edge of bucket | mm 6.525 | 6.095 | 6.045 |
| b Max. loading height at 45° | mm 4.755 | 3.865 | 3.865 |
| c Dumping height at 45° | mm 4.405 | 2.445 | 2.615 |

* with add. counterweight



MEASUREMENTS AND WORKING SPECIFICATIONS

| | Fork tines |
|---|------------|
| Sales code | C24 |
| Fork tine length | mm 1.500 |
| A Max. reach at ground level | mm 1.020 |
| B Max. reach | mm 1.680 |
| C Max. reach at max. stacking height | mm 820 |
| a Max. height fork-carrier | mm 4.930 |
| b Hinge pin height | mm 4.095 |
| c Max. stacking height | mm 3.925 |
| d Height of forks at maximum reach | mm 1.885 |
| Max. tipping load, straight | kg 10.250 |
| Max. tipping load, articulated | kg 9.195 |
| Max. payload as per EN 474-3, 80% | kg 7.000 |
| Max. payload as per EN 474-3, 60% | kg 5.375 |
| Weight in working order with fork tines | kg 18.115 |

