

# RIDGWAY Rentals

PLANT RENTAL • HAULAGE • SALES • PARTS • SERVICE

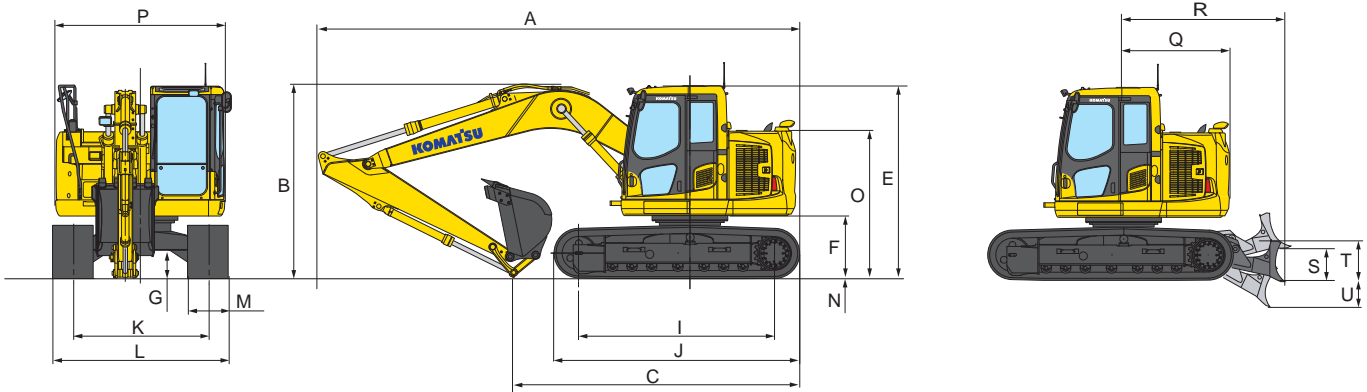
**01691 770171 0800 515155**

sales@ridgwayrentals.com www.ridgwayrentals.com



## Komatsu PC138US-10

13 Ton Excavator Hire | 13 Ton Excavator Sales



### MACHINE DIMENSIONS

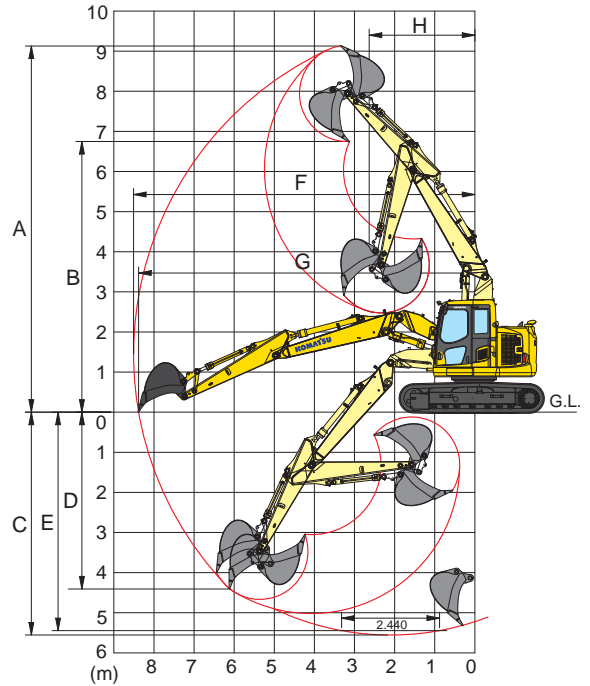
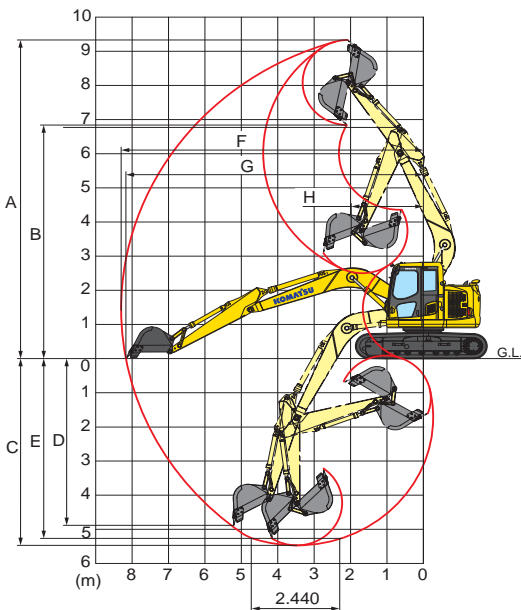
E Overall height of cab	2.815 mm	M Shoe width	500, 600, 700 mm
F Clearance under counterweight	900 mm	N Grouser height	20 mm
G Ground clearance	395 mm	O Machine tail height	2.140 mm
H Tail swing radius	1.480 mm	P Overall width of upper structure	2.490 mm
I Tumbler centre distance	2.880 mm	Q Distance, swing center to rear end	1.480 mm
J Track length	3.610 mm	R Distance, swing center to blade	2.500 mm
K Track gauge	1.990 mm	S Blade, max. lifting height	470 mm
L Overall track width with 500 mm shoes	2.490 mm	T Height of blade	590 mm
Overall track width with 600 mm shoes	2.590 mm	U Blade, max. digging depth	525 mm
Overall track width with 700 mm shoes	2.690 mm	Blade width (with 500 mm shoes)	2.490 mm
		Blade width (with 600 mm shoes)	2.590 mm

### TRANSPORT DIMENSIONS

	MONO BOOM			TWO-PIECE BOOM	
	2,1 m	2,5 m	3,0 m	2,1 m	2,5 m
A Transport length	7.290 mm	7.275 mm	7.160 mm	8.110 mm	8.100 mm
B Overall height (to top of boom)	2.820 mm	2.950 mm	3.210 mm	-	-
B Overall height (to top of hose)	-	-	-	2.920 mm	3.050 mm
C Length on ground (transport)	4.600 mm	4.400 mm	4.290 mm	4.970 mm	4.730 mm

### TWO-PIECE BOOM

### MONO BOOM



### MONO BOOM

### TWO-PIECE BOOM

ARM LENGTH	2,1 m	2,5 m	3,0 m	2,1 m	2,5 m
A Max. digging height	9.020 mm	9.340 mm	9.700 mm	8.830 mm	9.130 mm
B Max. dumping height	6.525 mm	6.840 mm	7.350 mm	6.455 mm	6.750 mm
C Max. digging depth	5.070 mm	5.480 mm	5.900 mm	5.280 mm	5.680 mm
D Max. vertical wall digging depth	4.490 mm	4.900 mm	5.340 mm	4.000 mm	4.400 mm
E Max. digging depth of cut for 2,44 m level	4.830 mm	5.265 mm	5.715 mm	5.140 mm	5.570 mm
F Max. digging reach	7.930 mm	8.300 mm	8.720 mm	8.140 mm	8.510 mm
G Max. digging reach at ground level	7.805 mm	8.180 mm	8.600 mm	8.000 mm	8.380 mm
H Min. swing radius	1.845 mm	1.980 mm	2.265 mm	2.380 mm	2.500 mm
Bucket digging force (ISO)	9.500 kgf	9.500 kgf	9.500 kgf		
Arm crowd force (ISO)	7.300 kgf	6.300 kgf	5.700 kgf		