

RIDGWAY Rentals

PLANT RENTAL • HAULAGE • SALES • PARTS • SERVICE

01691 770171 0800 515155

sales@ridgwayrentals.com www.ridgwayrentals.com



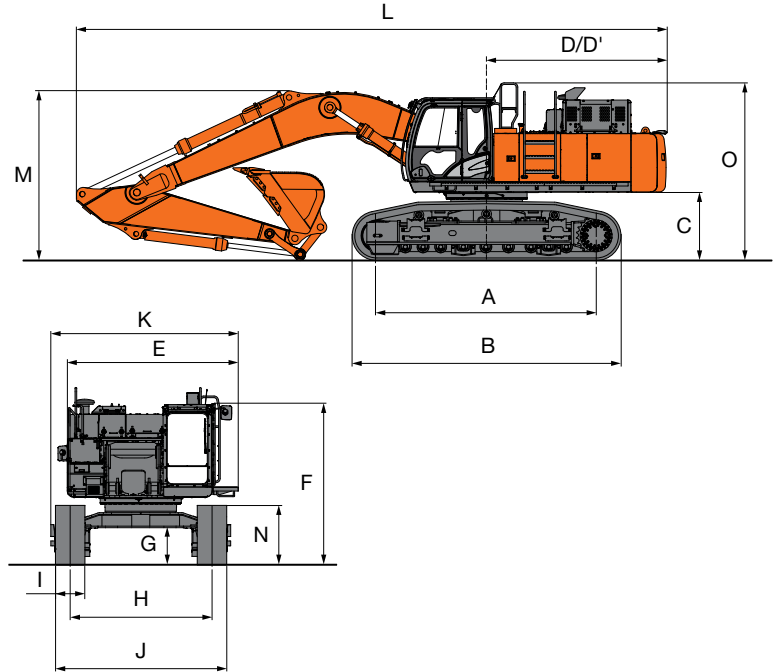
Hitachi ZX490LCH-6 Excavator

Excavator Hire | Excavator Sales

ZAXIS 490LCH ²	Unit: mm
A Distance between tumblers	4 470
B Undercarriage length	5 470
¹ C Counterweight clearance	1 360
D Rear-end swing radius	3 670
D' Rear-end length	3 660
E Overall width of upperstructure	3 480
F Overall height of cab	3 330
¹ G Min. ground clearance	737
H Track gauge : Extended / Retracted	2 890 / 2 390
I Track shoe width	G 600
J Undercarriage width : Extended / Retracted	G 750
K Overall width	3 820
L Overall length	12 010
M Overall height of boom	3 480
N Track height	1 220
O Overall height of base machine	3 530

¹ Excluding track shoe lug G: Grouser shoe

² Equipped with H-boom 7.8 m and H-arm 3.4 m



Boom 6.3 m BE		
Arm length	Arm 2.5 m	Arm 2.9 m
A Max. digging reach	10 460	10 750
A' Max. digging reach	10 210	10 500
B Max. digging depth	5 790	6 130
B' Max. digging depth	5 620	5 970
C Max. cutting height	10 660	10 790
D Max. dumping height	7 320	7 440
D' Min. dumping height	3 670	3 250
E Min. swing radius	4 090	3 930
F Max. vertical wall	4 260	4 650

Boom 7.0 m H		
Arm length	Arm 2.9 m BE	Arm 3.4 m H
A Max. digging reach	11 330	12 060
A' Max. digging reach	11 090	11 840
B Max. digging depth	7 200	7 770
B' Max. digging depth	7 000	7 630
C Max. cutting height	10 170	11 060
D Max. dumping height	7 100	7 650
D' Min. dumping height	3 520	2 940
E Min. swing radius	5 020	4 840
F Max. vertical wall	4 270	7 100

