

RIDGWAY Rentals



PLANT RENTAL • HAULAGE • SALES • PARTS • SERVICE

01691 770171 0800 515155

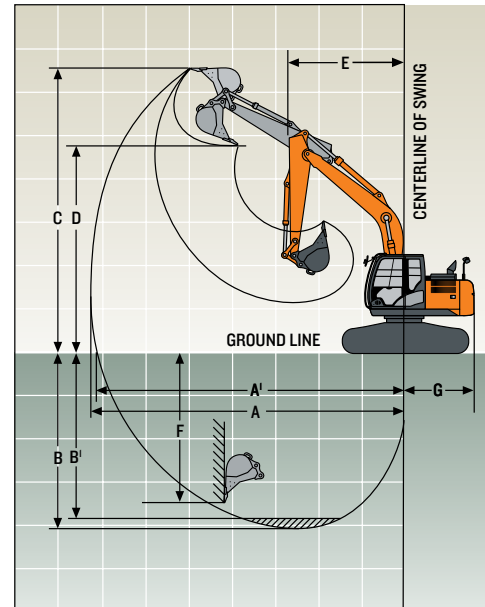
sales@ridgwayrentals.com www.ridgwayrentals.com



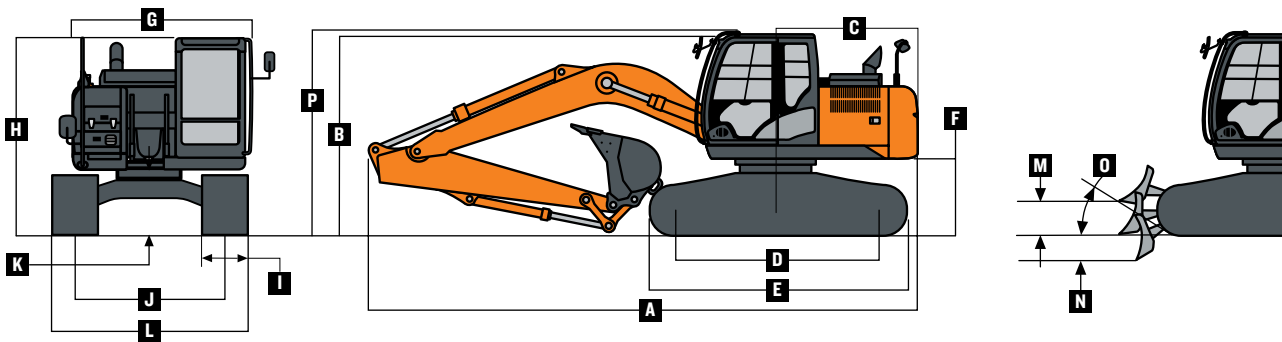
Hitachi ZX130LCN-6 13 Ton Excavator

Hitachi ZX130LCN-6 Operating Dimensions

Arm Length	2.52 m (8 ft. 3 in.)	3.01 m (9 ft. 11 in.)
Arm Digging Force		
SAE	67 kN (14,991 lb.)	60 kN (13,470 lb.)
ISO	69 kN (15,476 lb.)	62 kN (13,845 lb.)
Bucket Digging Force		
SAE	91 kN (20,525 lb.)	91 kN (20,525 lb.)
ISO	104 kN (23,435 lb.)	104 kN (23,435 lb.)
A Maximum Reach	8.32 m (27 ft. 4 in.)	8.79 m (28 ft. 10 in.)
A' Maximum Reach at Ground Level	8.20 m (26 ft. 11 in.)	8.67 m (28 ft. 5 in.)
B Maximum Digging Depth	5.57 m (18 ft. 3 in.)	6.06 m (19 ft. 11 in.)
B' Maximum Digging Depth at 2.44-m (8 ft.) Flat Bottom	5.35 m (17 ft. 7 in.)	5.88 m (19 ft. 3 in.)
C Maximum Cutting Height	8.60 m (28 ft. 3 in.)	8.93 m (29 ft. 4 in.)
D Maximum Dumping Height	6.19 m (20 ft. 4 in.)	6.52 m (21 ft. 5 in.)
E Minimum Swing Radius	2.40 m (7 ft. 10 in.)	2.62 m (8 ft. 7 in.)
F Maximum Vertical Wall	5.02 m (16 ft. 6 in.)	5.50 m (18 ft. 1 in.)
G Tail Swing Radius	2.19 m (7 ft. 2 in.)	2.19 m (7 ft. 2 in.)



Hitachi Zaxis 130 Dash-6



Hitachi ZX130LCN-6 Machine Dimensions

A Overall Length w/ Arm	2.52 m (8 ft. 3 in.)	7.70 m (25 ft. 3 in.)	J Gauge Width	1.99 m (6 ft. 6 in.)
	3.01 m (9 ft. 11 in.)	7.71 m (25 ft. 4 in.)	K Ground Clearance	410 mm (16 in.)
B Overall Height w/ Arm	2.52 m (8 ft. 3 in.)	2.75 m (9 ft.)	L Overall Width w/ Triple Semi-Grouser Shoes	
	3.01 m (9 ft. 11 in.)	2.74 m (9 ft.)	600 mm (24 in.)	2.59 m (8 ft. 6 in.)
C Rear-End Length/Swing Radius	2.19 m (7 ft. 2 in.)	2.88 m (9 ft. 5 in.)	700 mm (28 in.)	2.69 m (8 ft. 10 in.)
D Distance Between Idler/Sprocket Centerline	2.88 m (9 ft. 5 in.)	3.58 m (11 ft. 9 in.)	M Blade Lift Height	523 mm (21 in.)
E Undercarriage Length	3.58 m (11 ft. 9 in.)	840 mm (33 in.)	N Blade Cut Below Grade	488 mm (19 in.)
F Counterweight Clearance	840 mm (33 in.)	2.46 m (8 ft. 1 in.)	O Blade Lift Angle	27 deg.
G Upperstructure Width	2.46 m (8 ft. 1 in.)	2.79 m (9 ft. 2 in.)	Blade Length	2.51 m (8 ft. 3 in.)
H Cab Height	2.79 m (9 ft. 2 in.)	600 mm (24 in.)	Blade Height	523 mm (21 in.)
I Track Width w/ Triple Semi-Grouser Shoes	600 mm (24 in.)	700 mm (28 in.)	Blade Width w/ Triple Semi-Grouser Shoes	
	700 mm (28 in.)		600 mm (24 in.)	2590 mm (8 ft. 6 in.)
			700 mm (28 in.)	2690 mm (8 ft. 10 in.)
			P Transport Height (Pin in transport position)	
			2.52 m (8 ft. 3 in.)	2.87 m (9 ft. 5 in.)
			3.01 m (9 ft. 11 in.)	2.87 m (9 ft. 5 in.)