

# RIDGWAY Rentals

PLANT RENTAL • HAULAGE • SALES • PARTS • SERVICE

**01691 770171 0800 515155**

sales@ridgwayrentals.com www.ridgwayrentals.com

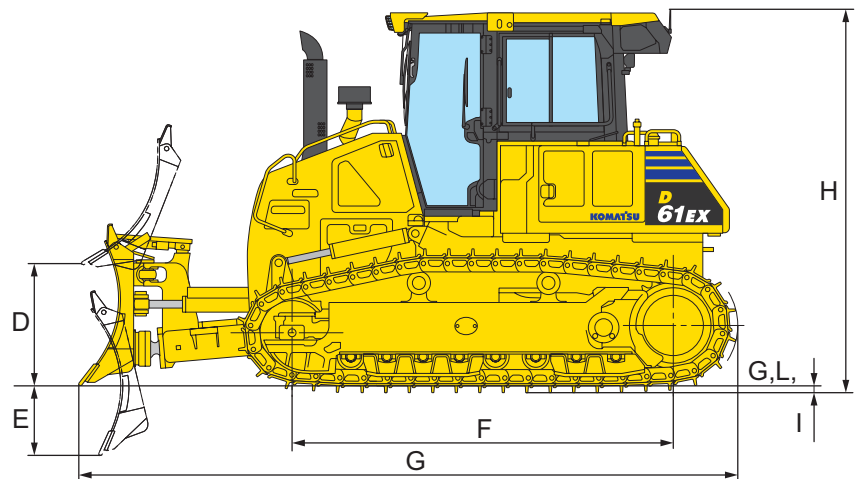
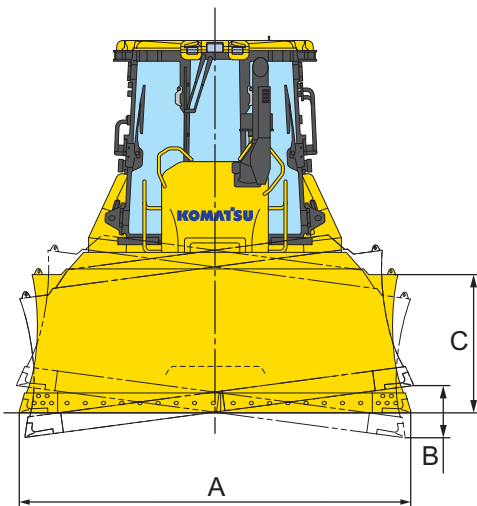
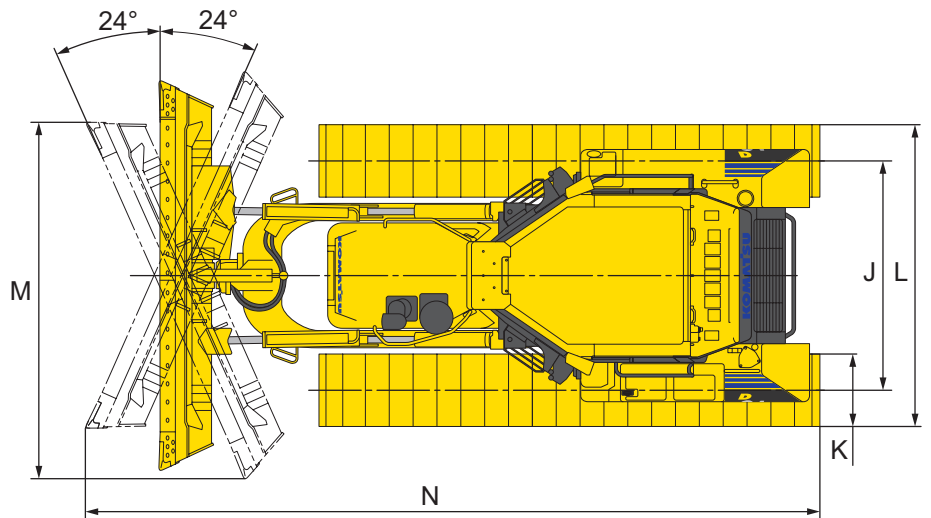


## Komatsu D61PX Dozer

Dozer Hire | Dozer Sales

	D61EX-24	D61PX-24
A	3.250 mm	3.860 mm
B	435 mm	515 mm
C	1.195 mm	1.155 mm
D	1.025 mm	1.025 mm
E	580 mm	580 mm
F	3.165 mm	3.165 mm
G	5.480 mm	5.480 mm
H	3.180 mm	3.180 mm
I	58 mm	58 mm
J	1.900 mm	2.130 mm
K	600 mm	860 mm
L	2.500 mm	2.990 mm
M	2.980 mm	3.530 mm
N	6.100 mm	6.220 mm

Ground clearance: 390 mm



### DOZER EQUIPMENT

	Overall length with dozer	Blade width x height	Maximum lift above ground	Maximum drop below ground	Maximum tilt adjustment	Additional weight
3,4 m <sup>3</sup> PAT blade (EX)	5.480 mm	3.250 mm x 1.195 mm	1.025 mm	580 mm	435 mm	0 kg
3,8 m <sup>3</sup> PAT blade (std. PX, opt. EX)	5.480 mm	3.860 mm x 1.155 mm	1.025 mm	580 mm	515 mm	0 kg
3,8 m <sup>3</sup> foldable PAT blade (PX)*	5.480 mm	3.860 mm x 1.155 mm Folding width: 2.960 mm	1.025 mm	580 mm	515 mm	+ 260 k

Blade capacities are based on the SAE recommended practice J1265.

\* Applicable only to light duty job