

RIDGWAY Rentals

PLANT RENTAL • HAULAGE • SALES • PARTS • SERVICE

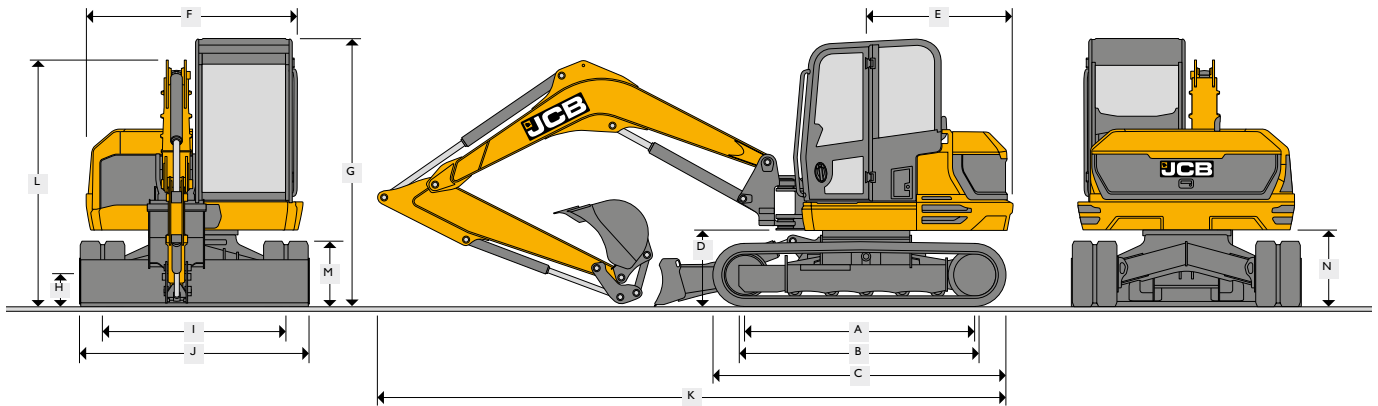
01691 770171 0800 515155

sales@ridgwayrentals.com www.ridgwayrentals.com

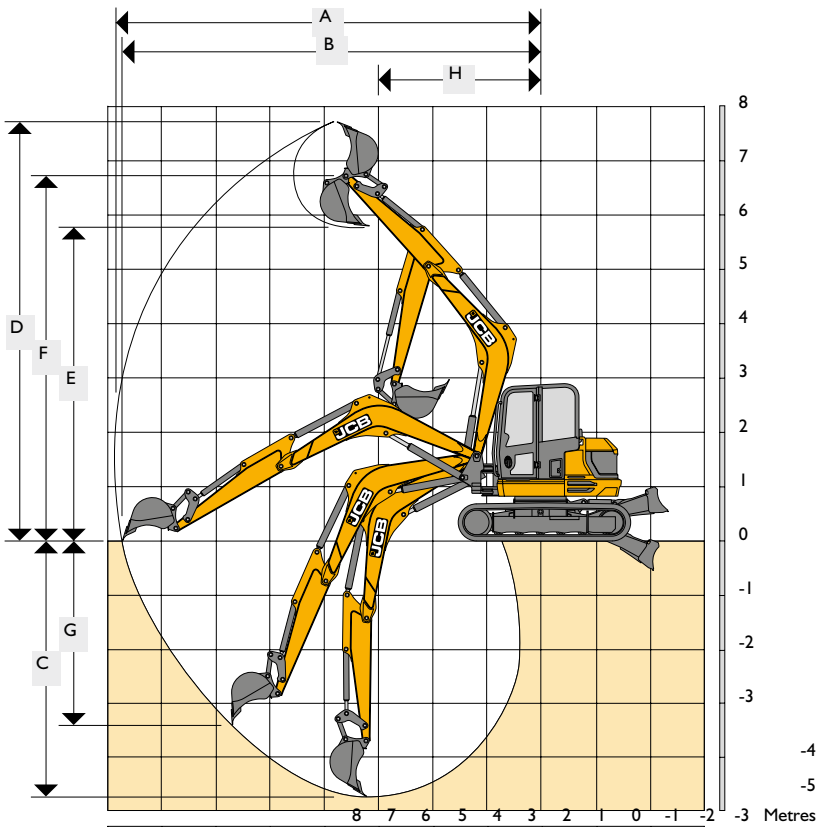


JCB 85Z-1 8 Ton Zero Tail Swing Mini Digger

Operating weight: 8300/8600kg Net engine power: 45.4kW



A	Sprocket idler centres	mm	2325	H	Ground clearance	mm	350
B	Track length on ground	mm	2325	I	Track gauge	mm	1850
C	Undercarriage overall length – rubber	mm	2950	J	Width over tracks (450 shoes)	mm	2300
	Undercarriage overall length – steel	mm	2900	K	Transport length with standard dipper	mm	5833
D	Kingpost clearance	mm	793	L	Transport height with standard dipper	mm	
E	Tailswing radius	mm	1145	M	Track height	mm	650
F	Overall width of superstructure	mm	2168	N	Counterweight clearance	mm	762
G	Height over cab	mm	2706				



Boom length	mm	2900
Dipper length	mm	1650 / 2000 / 2100
A	Max digging reach	mm 6596 / 6933 / 7029
B	Max digging reach on ground	mm 6401 / 6748 / 6848
C	Max digging depth – dozer up	mm 3234 / 3584 / 3684
	Max digging depth – dozer down	mm 3615 / 3625 / 3715
D	Max digging height	mm 6487 / 6758 / 6836
E	Max dump / load-over height	mm 4674 / 4946 / 5023
F	Max height to dipper nose pivot pin	mm 5547 / 5819 / 5896
G	Max vertical wallcut depth	mm 2525 / 2849 / 2941
H	Min. front swing radius (no offset)	mm 2847 / 3002 / 3047
	Min. front swing radius (fully offset)	mm 2478 / 2620 / 2660