

RIDGWAY Rentals

PLANT RENTAL • HAULAGE • SALES • PARTS • SERVICE

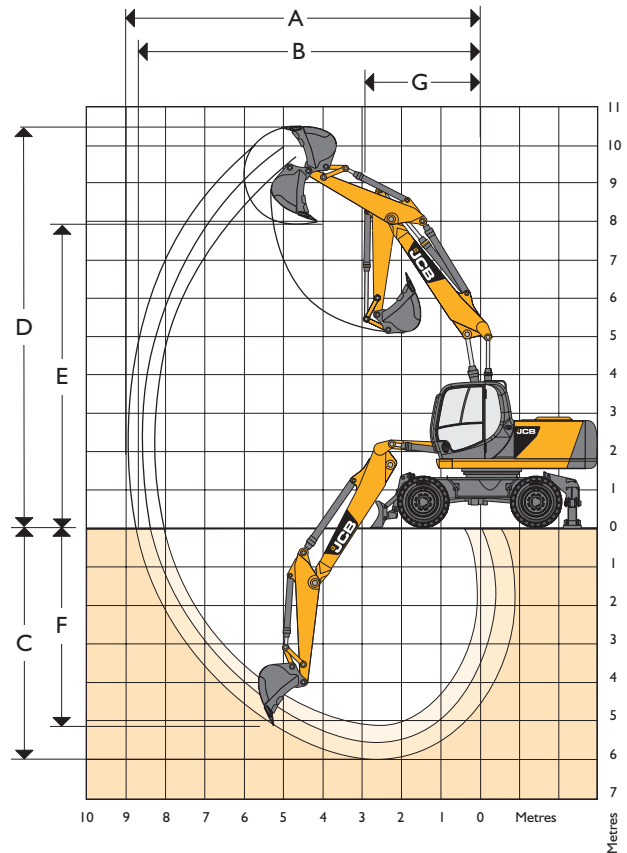
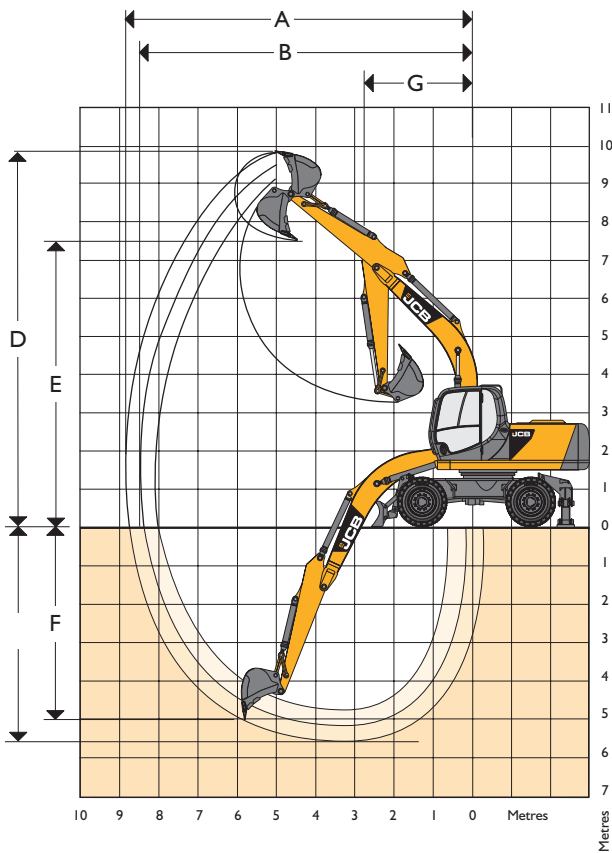
01691 770171 0800 515155


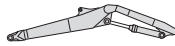
sales@ridgwayrentals.com www.ridgwayrentals.com



JCB JS145 W Wheeled Excavator Rubber Duck

MAX. OPERATING WEIGHT: 17730 kg ENGINE POWER: 125 hp



Boom	4.7m (15ft 4in) Monoboam			5.0m (16ft 4in) T.A.B.			
							
Dipper length		2.10m	2.50m	3.00m	2.10m	2.50m	3.00m
A Max digging reach	mm (ft-in)	7980 (26-2)	8350 (27-5)	8800 (28-10)	8360 (27-6)	8750 (28-8)	9235 (30-3)
B Max digging reach (on ground)	mm (ft-in)	7745 (25-5)	8125 (26-8)	8585 (28-2)	8140 (26-9)	8525 (27-11)	9000 (29-6)
C Max digging depth	mm (ft-in)	4775 (15-8)	5175 (16-11)	5675 (18-7)	5020 (16-6)	5425 (17-9)	5930 (19-6)
D Max digging height	mm (ft-in)	9185 (30-1)	9455 (31-0)	9775 (32-0)	9675 (31-9)	10000 (32-9)	10400 (34-2)
E Max loadover height	mm (ft-in)	6780 (22-3)	7050 (23-1)	7400 (24-3)	7275 (23-10)	7575 (24-9)	7950 (26-1)
F Max vertical wall cut depth	mm (ft-in)	4200 (13-9)	4600 (15-0)	5050 (16-6)	4240 (13-11)	4625 (15-2)	5105 (16-9)
G Min swing radius	mm (ft-in)	2050 (6-9)	2050 (6-8)	2410 (7-9)	2490 (8-2)	2575 (8-6)	2680 (8-9)
Bucket rotation		182°	182°	182°	182°	182°	182°
Dipper tearout	kgf (lbf)	8843 (19495)	7430 (16380)	6190 (13650)	8843 (19500)	7430 (16380)	6190 (13650)
Dipper tearout with boost	kgf (lbf)	9570 (21100)	8040 (17725)	6700 (14770)	9570 (21100)	8040 (17725)	6700 (14770)
Bucket tearout	kgf (lbf)	7720 (17020)	7720 (17020)	7720 (17020)	7720 (17020)	7720 (17020)	7720 (17020)
Bucket tearout with boost	kgf (lbf)	8350 (18400)	8350 (18400)	8350 (18400)	8350 (18400)	8350 (18400)	8350 (18400)