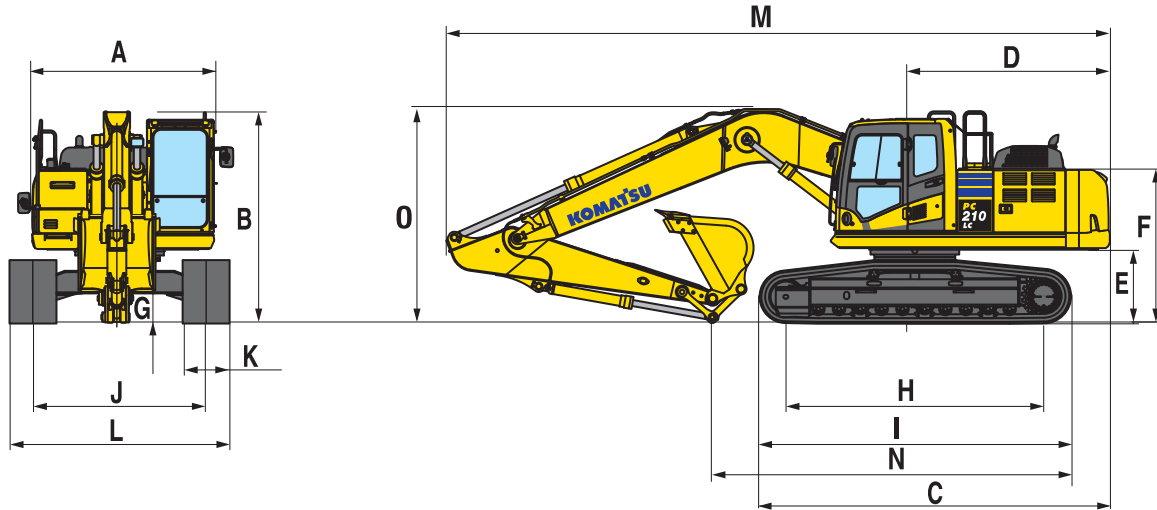
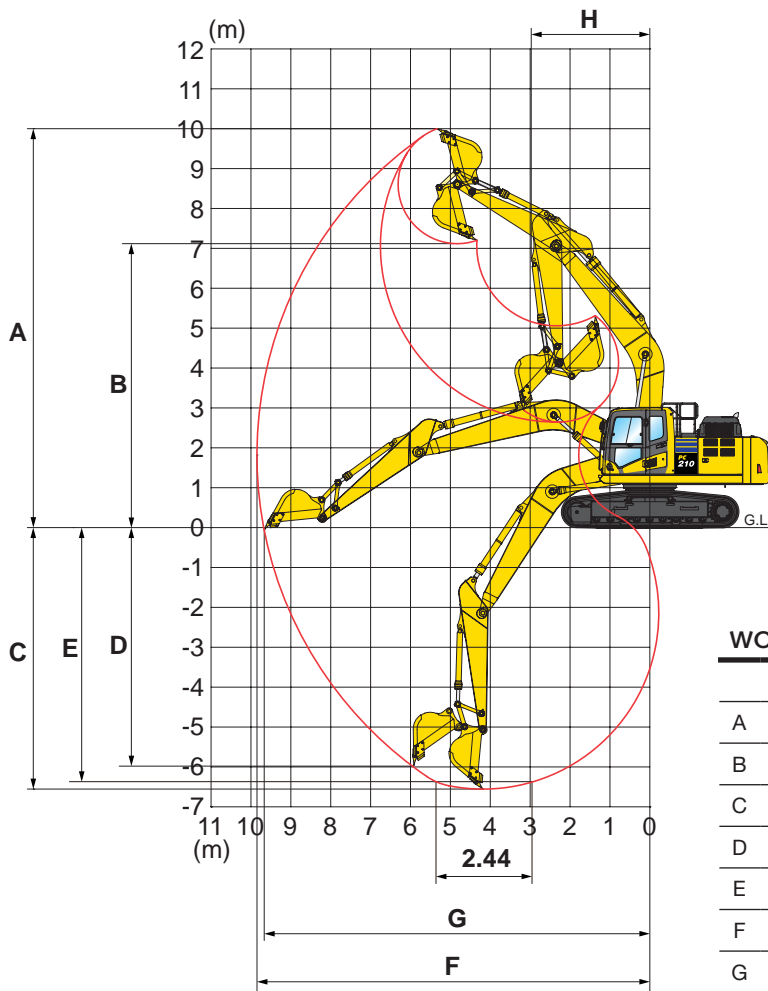


Komatsu PC210LC-11 Excavator



MACHINE DIMENSIONS

A	Overall width of upper structure	2.705 mm
B	Overall height of cab	3.045 mm
C	Overall length of basic machine	5.215 mm
D	Tail length	2.990 mm
	Tail swing radius	3.020 mm
E	Clearance under counterweight	1.085 mm
F	Machine tail height	2.250 mm
F'	Machine tail height (top of engine cover)	2.765 mm
G	Ground clearance	440 mm
H	Tumbler centre distance	3.655 mm
I	Track length	4.450 mm
J	Track gauge	2.380 mm
K	Track shoe width	600, 700, 800, 900 mm
L	Overall track width with 500 mm shoes	-
	Overall track width with 600 mm shoes	2.980 mm
	Overall track width with 700 mm shoes	3.080 mm
	Overall track width with 800 mm shoes	3.180 mm
	Overall track width with 900 mm shoes	3.280 mm



WORKING RANGE

PC210/LC-11

	Arm length	2,4 m 2,9 m
A	Max. digging height	9.800 mm 10.000 mm
B	Max. dumping height	6.890 mm 7.110 mm
C	Max. digging depth	6.095 mm 6.620 mm
D	Max. vertical wall digging depth	5.430 mm 5.980 mm
E	Max. digging depth of cut for 2,44 m level	5.780 mm 6.370 mm
F	Max. digging reach	9.380 mm 9.875 mm
G	Max. digging reach at ground level	9.190 mm 9.700 mm