

RIDGWAY Rentals

PLANT RENTAL • HAULAGE • SALES • PARTS • SERVICE

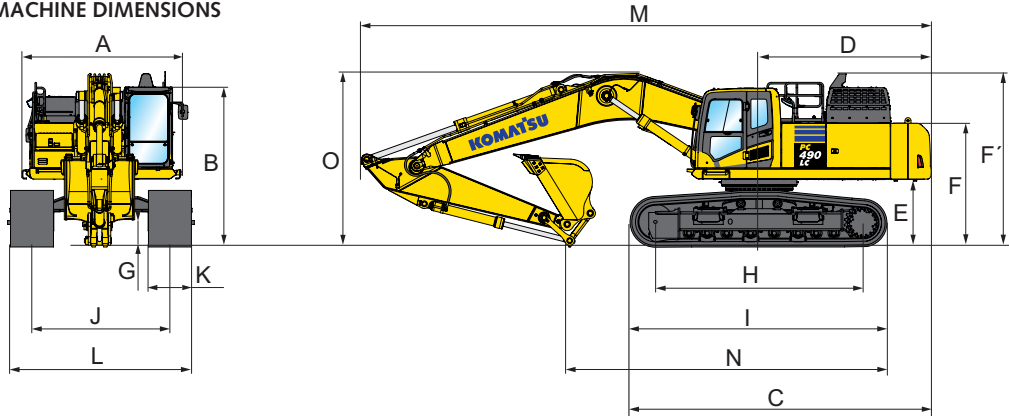
01691 770171 0800 515155

sales@ridgwayrentals.com www.ridgwayrentals.com



PC490LC-11 Excavator

MACHINE DIMENSIONS



| | | |
|---|---|----------|
| A | Overall width of upper structure | 2.995 mm |
| B | Overall height of cab | 3.360 mm |
| C | Overall length of basic machine | 6.300 mm |
| D | Tail length | 3.605 mm |
| | Tail swing radius | 3.645 mm |
| E | Clearance under counterweight | 1.385 mm |
| F | Machine tail height | 2.560 mm |
| F | Machine tail height (top of engine cover) | 3.630 mm |
| G | Ground clearance | 700 mm |

| | | |
|---|---------------------------------------|-----------------------|
| H | Tumbler centre distance | 4.350 mm |
| I | Track length | 5.385 mm |
| J | Track gauge | 2.890 mm |
| K | Track shoe width | 600, 700, 800, 900 mm |
| L | Overall track width with 600 mm shoes | 3.490 - 2.990 mm* |
| | Overall track width with 700 mm shoes | 3.590 - 3.090 mm* |
| | Overall track width with 800 mm shoes | 3.690 - 3.190 mm* |
| | Overall track width with 900 mm shoes | 3.790 - 3.290 mm* |

MONO BOOM

ARM LENGTH

- A Max. digging height
- B Max. dumping height
- C Max. digging depth
- D Max. vertical wall digging depth
- E Max. digging depth of cut for 2,44 m level
- F Max. digging reach
- G Max. digging reach at ground level
- H Min. swing radius

SHORT BOOM

ARM LENGTH

- A Max. digging height
- B Max. dumping height
- C Max. digging depth
- D Max. vertical wall digging depth
- E Max. digging depth of cut for 2,44 m level
- F Max. digging reach
- G Max. digging reach at ground level
- H Min. swing radius

