

RIDGWAY Rentals

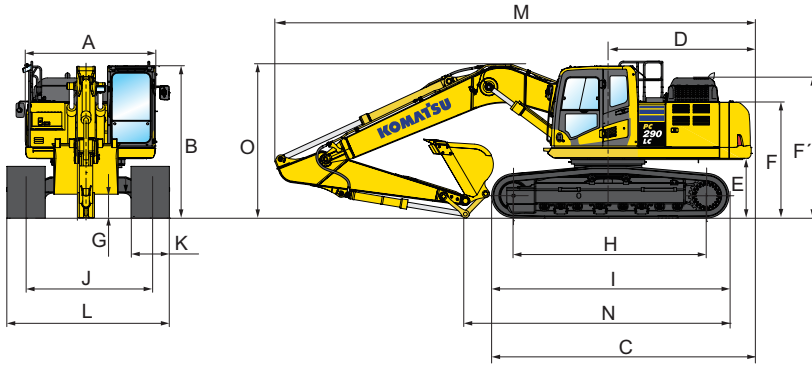
PLANT RENTAL • HAULAGE • SALES • PARTS • SERVICE

01691 770171 0800 515155

sales@ridgwayrentals.com www.ridgwayrentals.com

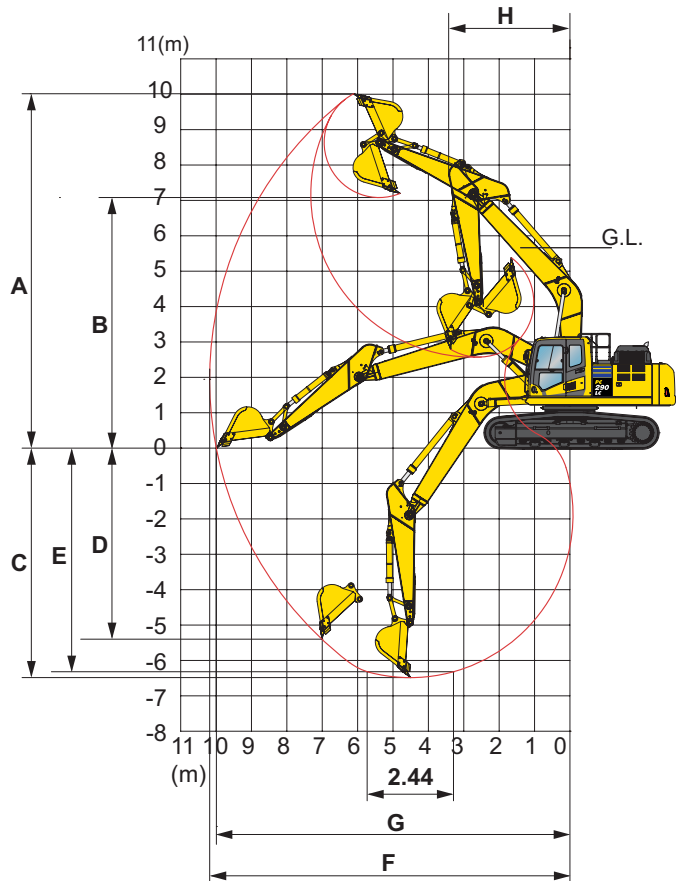


Komatsu PC 290 LC-11 Excavator



| MACHINE DIMENSIONS | PC290LC-11 |
|--|-----------------------|
| A Overall width of upper structure | 2.850 mm |
| B Overall height of cab | 3.180 mm |
| C Overall length of basic machine | 5.460 mm |
| D Tail length | 2.985 mm |
| Tail swing radius | 3.020 mm |
| E Clearance under counterweight | 1.215 mm |
| F Machine tail height | 2.380 mm |
| F' Machine tail height (top of engine cover) | 2.895 mm |
| G Ground clearance | 495 mm |
| H Tumbler centre distance | 4.030 mm |
| I Track length | 4.955 mm |
| J Track gauge | 2.590 mm |
| J Track gauge (transport) | 2.590 mm |
| K Track shoe width | 600, 700, 800, 850 mm |
| L Overall track width with 600 mm shoes | 3.190 mm |
| Overall track width with 700 mm shoes | 3.290 mm |
| Overall track width with 800 mm shoes | 3.390 mm |
| Overall track width with 850 mm shoes | 3.440 mm |

Working Range



| ARM LENGTH | 2,0 m | 2,65 m | 3,2 m | 3,5 m |
|--|----------|-----------|-----------|-----------|
| A Max. digging height | 9.780 mm | 9.985 mm | 10.345 mm | 10.355 mm |
| B Max. dumping height | 6.830 mm | 7.040 mm | 7.370 mm | 7.435 mm |
| C Max. digging depth | 5.720 mm | 6.360 mm | 6.915 mm | 7.220 mm |
| D Max. vertical wall digging depth | 3.910 mm | 5.365 mm | 6.135 mm | 5.110 mm |
| E Max. digging depth of cut for 2,44 m level | 5.500 mm | 6.175 mm | 6.755 mm | 7.070 mm |
| F Max. digging reach | 9.570 mm | 10.095 mm | 10.635 mm | 10.890 mm |
| G Max. digging reach at ground level | 9.370 mm | 9.905 mm | 10.455 mm | 10.715 mm |
| H Min. swing radius | 3.620 mm | 3.740 mm | 3.680 mm | 3.740 mm |