

RIDGWAY Rentals

PLANT RENTAL • HAULAGE • SALES • PARTS • SERVICE

01691 770171 0800 515155

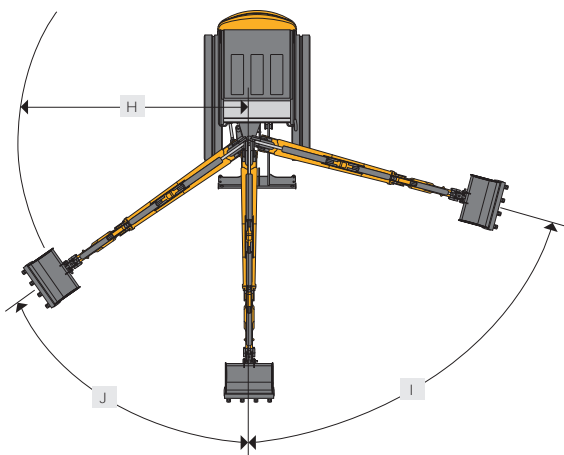
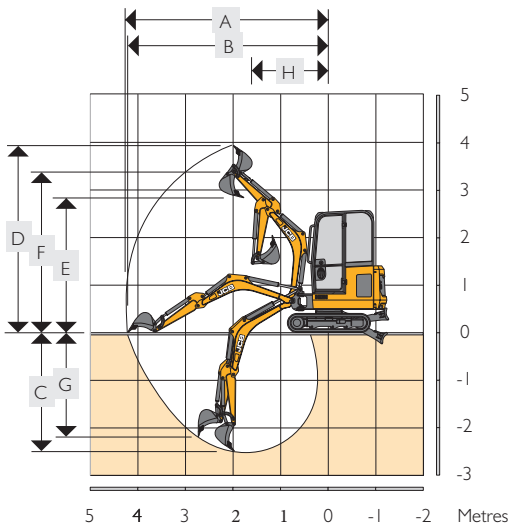
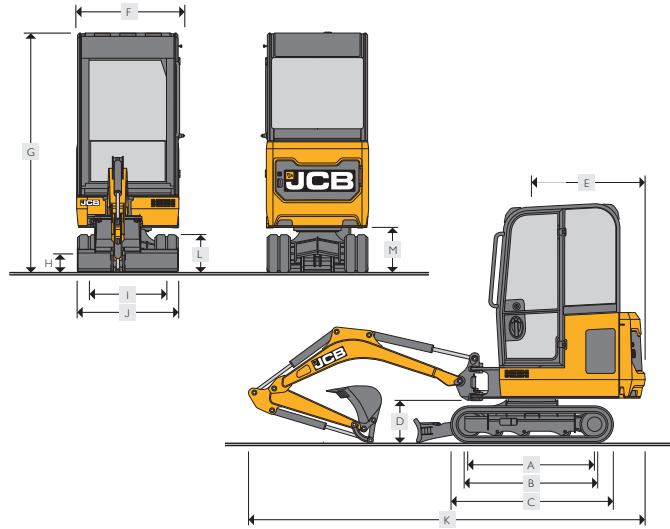
sales@ridgwayrentals.com www.ridgwayrentals.com



JCB 16C-1 Mini Digger

Mini Digger Hire | Mini Digger Sales

A	Sprocket idler centres	1218	mm
B	Track length on ground	1220	mm
C	Undercarriage overall length - rubber	1578	mm
	Undercarriage overall length - steel	1578	mm
D	Kingpost clearance	409	mm
E	Tailswing radius	1103	mm
F	Overall width of superstructure	996	mm
G	Height over cab	2324	mm
	Height over canopy	2342	mm
H	Ground clearance	162	mm
I	Track gauge - retracted/extended	750-1110	mm
J	Width over tracks / rubber / steel - retracted	980	mm
	Width over tracks / rubber / steel - extended	1330	mm
K	Transport length	3860	mm
L	Track height	367	mm
M	Counterweight clearance	434	mm



			(950mm Dipper)	(1100mm Dipper)
	Boom length	mm	1800	1800
A	Max. digging reach	mm	3899	4043
B	Max. digging reach on ground	mm	3834	3981
C	Max. digging depth – dozer up	mm	2271	2421
	Max. digging depth – dozer down	mm	2426	2576
D	Max. digging height	mm	3556	3667
E	Max. dump/load-over height	mm	2598	2637
F	Max. height to dipper nose pivot pin	mm	3116	3154
G	Max. vertical wallcut depth	mm	1933	2139
H	Min. front swing radius (no offset)	mm	1488	1517
	Min. front swing radius (fully offset)	mm	1171	1196
I	Boom swing left	degrees	75°	75°
J	Boom swing right	degrees	55°	55°
	Bucket rotation	degrees	201°	201°
	Dipper rotation	degrees	126°	126°
	Bucket tearout (power position)	kN	15.6	15.6
	Dipper tearout	kN	8.8	7.9
	Slew speed	rpm	7.9	7.9