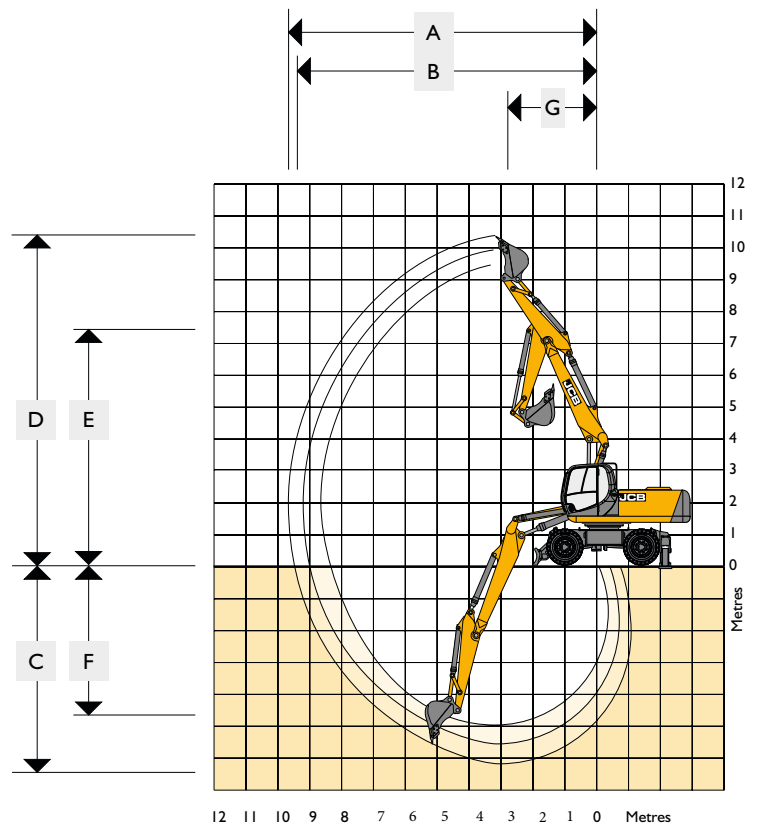
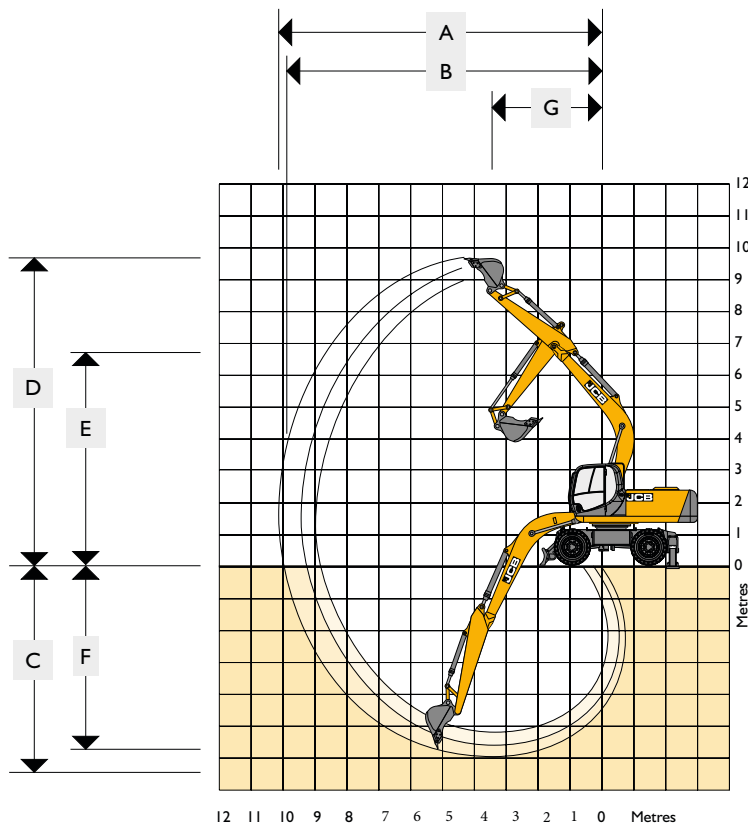




## JCB JS200 W Wheeled Excavator

MAX. OPERATING WEIGHT: 23773kg ENGINE POWER: 172 hp



	5.7m Monoboam			5.63m T.A.B.		
	1.9m	2.4m	3m	1.9m	2.4m	3m
<b>Dipper length</b>						
A Max digging reach	mm 9110	9490	10,020	8860	9280	9825
B Max digging reach (on ground)	mm 8870	9310	9850	8650	9140	9650
C Max digging depth	mm 5260	5790	6370	5470	5960	6475
D Max digging height	mm 9190	9430	9630	9530	9930	10,160
E Max loadover height	mm 6470	6760	6980	6670	7060	7300
F Max vertical wall cut depth	mm 4540	5240	5840	3760	4200	4795
G Min swing radius	mm 3900	3860	3750	3250	3260	2905
Bucket rotation	183°	183°	183°	183°	183°	183°
Dipper tearout	kgf 16,340	13,100	10,450	16,340	13,100	10,450
Dipper tearout with boost	kgf 17,700	14,000	11,270	17,700	14,000	11,270
Bucket tearout	kgf 11,770	11,770	11,770	11,770	11,770	11,770
Bucket tearout with boost	kgf 12,710	12,710	12,710	12,710	12,710	12,710