

# RIDGWAY Rentals

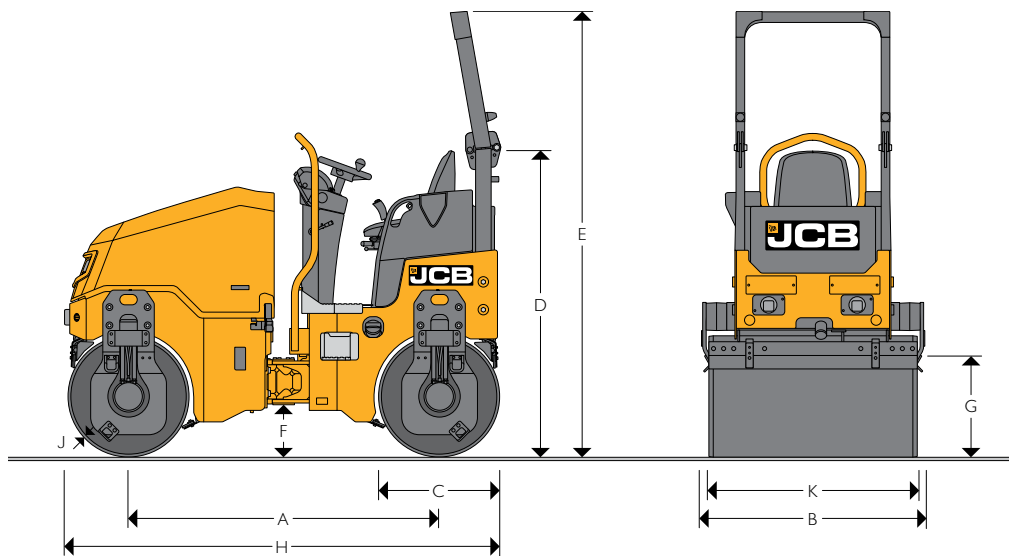
PLANT RENTAL • HAULAGE • SALES • PARTS • SERVICE

**01691 770171 0800 515155**

sales@ridgwayrentals.com www.ridgwayrentals.com



## JCB CT260-120 Twin Drum Compaction Roller



### STATIC DIMENSIONS

	CT260-120
A Wheelbase	1790 mm
B Overall width	1295 mm
C Drum diameter	700 mm
D Height to top of seat	1755 mm
E Height to top of ROPS	2510 mm
F Ground clearance	270 mm
G Curb clearance	560 mm
H Total travel length	2490 mm
J Drum thickness	12 mm
K Drum width	1200 mm

### OPERATING DATA

	CT260-120	
Nominal weight	kg	2420
Operating weight (CECE)	kg	2560
Maximum operating weight	kg	2740
Operating weight front	kg	1260
Operating weight rear	kg	1300
Working width	mm	1200
Operating linear load	kg/cm	10.5 10.9
Exciter frequency	Hz	50 66
Nominal amplitude	mm	0.51
Centrifugal force (each drum)	kN	23.6 41.1
Max. Working speed	km/h	10
Drum offset left / right - manual (option)	mm	60
Steering angle	degrees	±33
Oscillation angle	degrees	±8
Inner turn radius	mm	2375
Gradeability with vibration up to	%	30
Gradeability without vibration up to	%	40