

NEW

RIDGWAY Rentals
PLANT RENTAL • HAULAGE • SALES • PARTS • SERVICE



TANDEM ROLLER | CT160 / CT260

Operating weight: 1710 – 2740kg Engine power: 14.5 – 18.2kW (19.8 – 24.4hp) Drum width: 800mm, 1000mm, 1200mm



Easy in a hard world.

The new JCB CT160 and CT260 tandem rollers have been designed to make things easier in your world. So, whether you're a rental company or operator, our new machines make it easy to be more productive, comfortable and safe with lower running costs.



EASY TO USE.

WITH A SIMPLE, INTUITIVE CONTROL LAYOUT THAT NEEDS NO EXPLAINING AND SUPERIOR OPERATOR COMFORT, OUR NEW TANDEM ROLLERS MAKE WORKING NOT JUST EASY BUT ALSO A PLEASURE.

- 1 A responsive directional drive lever makes for smooth operation.
- 2 There is two-sided access onto the all-improved operator stand with integrated grab handle in the moulded plastic water tank and additional ergonomically positioned grab rail. The obstruction-free floor offers comfortable foot and knee positions once seated.
- 3 Hourglass design provides excellent drum edge visibility for the operator.
- 4 Our new CT control panel has easy to understand work modes and all switches are easy to use with a gloved hand.
- 5 The spacious operator platform is isolated with anti-vibration mounts to protect the operator from HAV & WBV.



6 The CT160 and CT260 feature three simple, switchable vibration settings: for both drums, independent front or rear. Automatic Vibration Control is standard.

7 New integrated cup holder.

8 Easy to adjust scraper bars, whether working on stone or asphalt.

9 The easy to adjust off-set increases versatility.

Dealer Fit options: road lights, seat belt activated green beacon, additional ROPS mounted LED lights, white noise alarm and weather protection canopy.



EASY TO BE PRODUCTIVE.

THE NEW CT160 AND CT260 MAKES IT EASY TO BE PRODUCTIVE WHETHER ON, AGGREGATES OR ASPHALT.

1 The CT160 has best-in-class static linear load of >10kg/cm on both drums (please refer to HAUC standards).

2 The easy manually adjusted off-set increases efficiency by aiding the operator to avoid damage potential to kerbs and ironwork.

3 All drums have chamfered edges for a smooth finish.

4 The CT160 and CT260 feature the latest Tier 4 Final and EU5 compliant Kubota engines (CT160: 14.5kW, CT260: 18.2kW), which provide improved fuel economy without compromise to performance and without the cost and inconvenience of a DPF (Diesel Particulate Filter) or fuel additives.



5 The new CT moulded water tank has 'WATER ONLY' embossed in the design to make it easy to distinguish from the fuel fill cap.

The new white water cap avoids confusion with blue AdBlue® filler caps that many other machines require.

6 The rear drum lies flush with the rear chassis, giving the operator full visibility and confidence when compacting close to a wall or obstacle.

The water spray system is pressurised.

7 Easy to fit bayonet nozzles with filters are fitted to the stainless steel spray bar.

The fuel and water tanks both have easy access to drain points.

8 The new CT tandem rollers are trailer towable giving the owner or operator more flexibility and ease of transport choice to the job site, reducing transport costs.



EASY TO KEEP SAFE AND SECURE.

WITH JCB'S LIVELINK
TELEMATICS SYSTEM AS
STANDARD, PLUS MANY
BUILT IN SAFETY FEATURES,
JCB GIVES YOU COMPLETE
PEACE OF MIND.



1

1 LiveLink offers security with machine location information and real-time geofencing that lets you set operating zones, curfew alerts and pinpoints machine location for easy collection and service planning.

2 Integrated lockable console cover helps to protect your asset.

3 The operator-present seat switch provides safety when mobile but has a timed cut-out delay, which will still allow the free movement on the seat for the operator.



1



3

- 4 Increased all-round visibility makes for safer working on site.
- 5 The folding ROPS frame as standard makes it easy to fit inside site storage without removing the beacon.
- 6 Two-sided step entry makes it easier and safer to get on or off the operator platform.



EASY TO SERVICE.

WITH EASY ACCESS TO ENGINE SERVICE POINTS, LONGER SERVICE INTERVALS AND MANY ZERO MAINTENANCE PARTS, JCB'S NEW TANDEM ROLLERS ARE EASY TO SERVICE.

1 The Kubota engine installation and high lift bonnet makes it easy to carry out daily checks from a single side.

2 The well-protected radiator position at the centre of the machine not only ensures it is easy to clean, it also creates easy access to the battery and service points.

3 LiveLink as standard provides accurate hours and utilisation monitoring in addition to critical machine alerts which pre-empt breakdown and improve maintenance planning.

Evidence of dynamic compaction can be seen in the vibration on/off LiveLink reports.



Well protected hosing.

4 The maintenance-free centre joint not only eliminates greasing time and cost, it also removes any concern for the owner regarding greasing neglect when the machine is out on hire.

5 JCB parts commonality helps reduce service part stock.

6 Single ECU fuse diagnostic point makes fault finding easy.

7 250 hour or annual servicing keeps operating costs down and productivity up.

8 Plastic fuel and water tanks ensure no corrosion worries.

Both tanks have easy-to-access drain points and are easy to flush.



LIVELINK, WORK SMARTER.

LIVELINK IS AN INNOVATIVE SOFTWARE SYSTEM THAT LETS YOU MANAGE JCB MACHINES REMOTELY – ONLINE, BY EMAIL OR BY MOBILE PHONE. ACCESS EVERYTHING FROM MACHINE ALERTS TO FUEL REPORTS AND HISTORY INFORMATION, WITH ALL DATA STORED AT A SECURE CENTRE.

Productivity and cost benefits

By providing information like idle time monitoring and machine fuel consumption, JCB Livelink helps reduce your fuel usage, saving money and improving productivity. Machine location information can help improve efficiency and perhaps even reduce insurance costs.



Maintenance benefits

Manage machine maintenance easily – accurate hours monitoring and service alerts improve maintenance planning, while real-time location data helps you manage your fleet. Critical machine alerts and maintenance history records are also available.



Security benefits

Livelink's real-time geofencing alerts tell you when machines move out of predetermined zones, and real-time curfew alerts inform you of unauthorised usage.



VALUE ADDED.

JCB'S WORLDWIDE CUSTOMER SUPPORT IS FIRST CLASS. WHATEVER YOU NEED AND WHEREVER YOU ARE, WE'LL BE AVAILABLE QUICKLY AND EFFICIENTLY TO HELP MAKE SURE YOUR MACHINERY IS PERFORMING TO ITS FULL POTENTIAL.



1

1 Our Technical Support Service provides instant access to factory expertise, day or night, while our Finance and Insurance teams are always on hand to provide fast, flexible, competitive quotes.

2 The global network of JCB Parts Centres is another model of efficiency; with 18 regional bases, we can deliver around 95% of all parts anywhere in the world within 24 hours. Our genuine JCB parts are designed to work in perfect harmony with your machine for optimum performance and productivity.

Note: JCB LIVELINK and JCB extended warranty packages may not be available in your region, so please check with your local dealer.

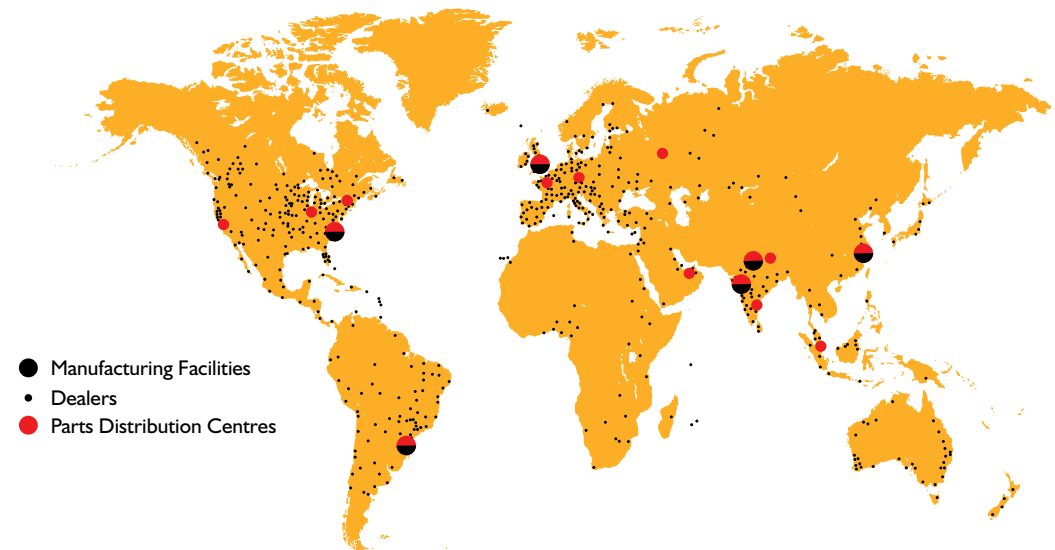


2

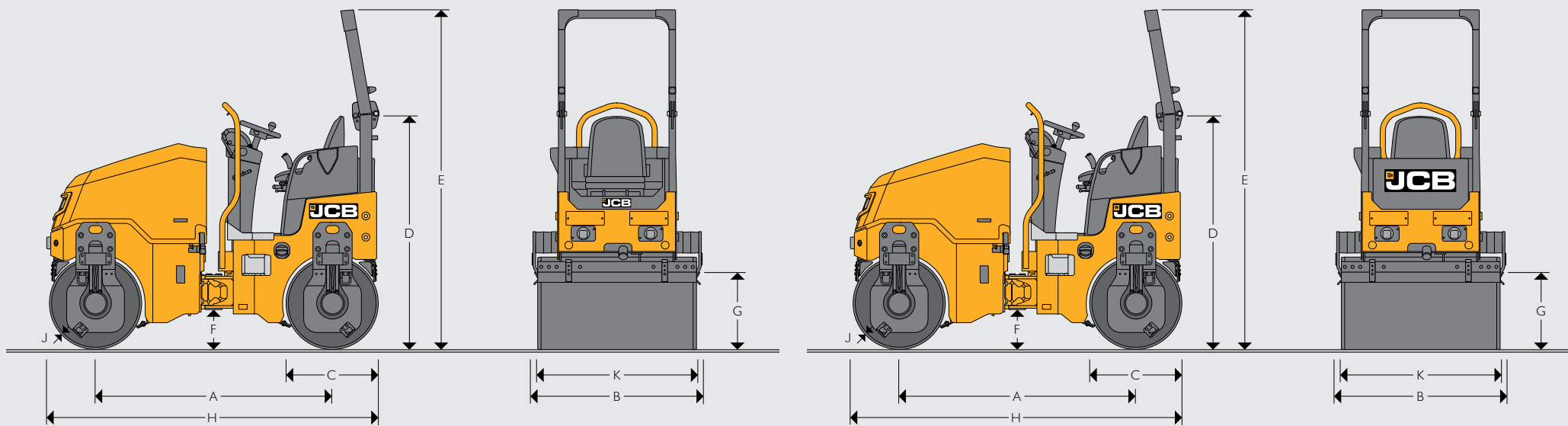
3 JCB offers comprehensive extended warranties as well as service-only or repair and maintenance contracts. Irrespective of what you opt for, our maintenance teams around the world charge competitive labour rates, and offer non-obligation quotations as well as fast, efficient insurance repair work.



3



STATIC DIMENSIONS



STATIC DIMENSIONS

			CT160-80	CT160-100	CT260-100	CT260-120
A	Wheelbase	mm	1560	1560	1790	1790
B	Overall width	mm	960	1090	1095	1295
C	Drum diameter	mm	580	580	700	700
D	Height to top of seat	mm	1650	1650	1755	1755
E	Height to top of ROPS	mm	2485	2485	2510	2510
F	Ground clearance	mm	255	255	270	270
G	Curb clearance	mm	510	510	560	560
H	Total travel length	mm	2140	2140	2490	2490
J	Drum thickness	mm	12	12	12	12
K	Drum width	mm	800	1000	1000	1200

OPERATING DATA									
		CT160-80		CT160-100		CT260-100		CT260-120	
Nominal weight	kg	1630		1710		2280		2420	
Operating weight (CECE)	kg	1710		1790		2420		2560	
Maximum operating weight	kg	1790		1870		2600		2740	
Operating weight front	kg	800		840		1190		1260	
Operating weight rear	kg	910		950		1230		1300	
Working width	mm	800		1000		1000		1200	
Operating linear load	kg/cm	10.0	11.4	8.4	9.5	11.9	12.3	10.5	10.9
Exciter frequency	Hz	50	66	50	66	50	66	50	66
Nominal amplitude	mm	0.41		0.35		0.56		0.51	
Centrifugal force (each drum)	kN	10.9	19.1	10.9	19.1	23.6	41.1	23.6	41.1
Max. Working speed	km/h	9		9		10		10	
Drum offset left / right - manual (option)	mm	56		56		60		60	
Steering angle	degrees	±33		±33		±33		±33	
Oscillation angle	degrees	±8		±8		±8		±8	
Inner turn radius	mm	2160		2090		2475		2375	
Gradeability with vibration up to	%	25		25		30		30	
Gradeability without vibration up to	%	35		35		40		40	

ENGINE		
	CT160 (All Models)	CT260 (All Models)
Make	Kubota	
Model	D1005-E4B-EU	D1703-M-DI-E4B
Type	3 cylinder, water-cooled four-stroke diesel engine	3 cylinder, water-cooled four-stroke diesel engine
Piston displacement	cm ³	1001
Performance	kW (hp)	14.2 (19.0)
Operating speed	rpm	2550
Starting device	Electric motor	
Air cleaner	Dry cartridge + safety cartridge	Dry cartridge + safety cartridge
Fuel filler	Cartridge	

PROPULSION
Hydrostatic with variable displacement pump and fixed displacement motors with direct drive to both drums = double drum drive.

EXCITER DRIVE
Electronically controlled hydrostatic direct drive on both drums for double vibration or single vibration front or rear, AVC (automatic vibration control).

EXCITER
Single-shaft circular exciter.

STEERING SYSTEM
Servo assisted, maintenance free centre articulation with oscillation facility.

SERVICE CAPACITIES		
	CT160 (All Models)	CT260 (All Models)
Fuel tank capacity	litres	33
Sprinkler water tank capacity	litres	100

BRAKING SYSTEM
Service brake: Hydrostatic propulsion system.
Parking brake: Hydraulically-released brake on both drums (SAHR).

WATER SYSTEM
Pressurised sprinkling system, adjustable scrapers (two each drum), changeable nozzles, multiple water filtering.

ELECTRICAL SYSTEM		
	CT160 (All Models)	CT260 (All Models)
Electrical system voltage	V	12
Battery capacity	Ah	62
Alternator	A	60

DRIVERS STAND / INSTRUMENTS
Fuel, battery charging current, sprinkler system, parking brake, hour meter, engine oil pressure, air filter condition, hydraulic oil level and temperature, water level indicator, cup holder, comfortable adjustable operator seat and safety belt, flashing amber beacon, fan guard, locking instrument panel cover, reverse alarm, foldable ROPS.

OPTIONS
Foldable ROPS Canopy, Road lights, Seat belt activated Green Beacon, White Noise Alarm, LED Work lights (not compatible with Canopy).