

RIDGWAY Rentals

PLANT RENTAL • HAULAGE • SALES • PARTS • SERVICE

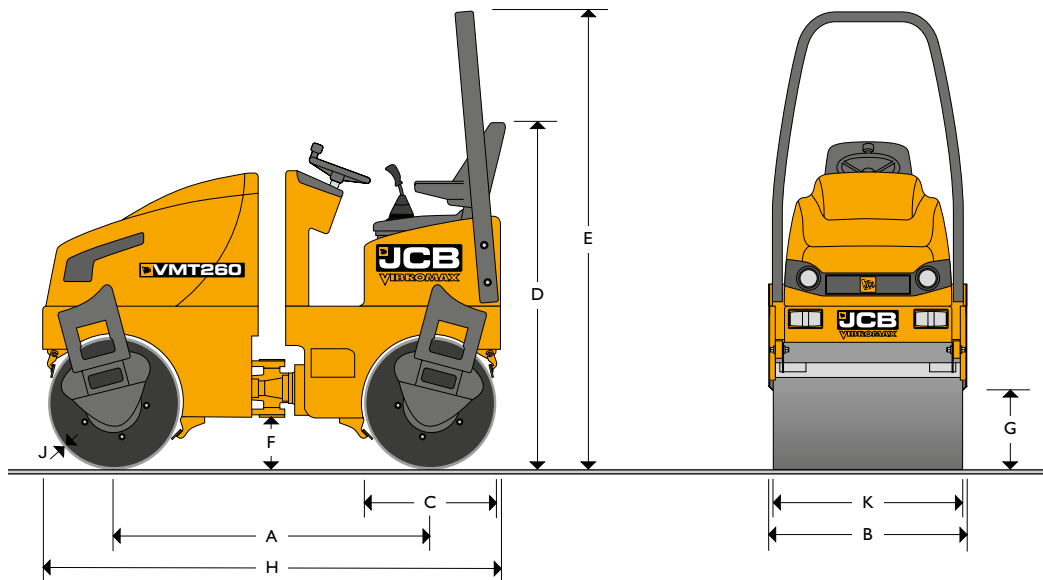
01691 770171 0800 515155

sales@ridgwayrentals.com www.ridgwayrentals.com



JCB VIBROMAX VMT260-120 Twin Drum Compaction Roller

DRUM WIDTH: 1200mm (7.2in) OPERATING WEIGHT: 050kg (6724lb)



OPERATING DATA

STATIC DIMENSIONS

Operating data		VMT260-100	Dimensions in millimetres (in)	
Nominal weight	kg (lb)	2440 (5379)	A Wheelbase	1700 (66.9)
Operating weight (CECE)	kg (lb)	2670 (5886)	B Overall width	1280 (50.4)
Maximum operating weight	kg (lb)	2790 (6151)	C Drum diameter	700 (27.5)
Working width	mm	1000	D Height to top of seat	1760 (69.3)
Operating linear load	kg/cm (lb/in)	13.4 (74.8)	E Height to top of ROPS	2480 (97.6)
Exciter frequency	Hz	50 ... 66	F Ground clearance	270 (10.6)
Nominal amplitude	mm	0.5	G Curb clearance	550 (21.6)
Centrifugal force (each drum)	kN	26 ... 45	H Total travel length	2490 (98)
Max. Working speed	km/h	0 ... 11	J Drum thickness	12 (0.47)
Drum offset left / right (Option)	mm	80	K Drum width	1200 (47.2)
Steering lock angle	°	±35		
Oscillation angle	°	±8		
Inner turning radius	mm	2200		
Gradeability with vibration up to	° (%)	17 (30)		
Gradeability without vibration up to	° (%)	22 (40)		