

RIDGWAY Rentals

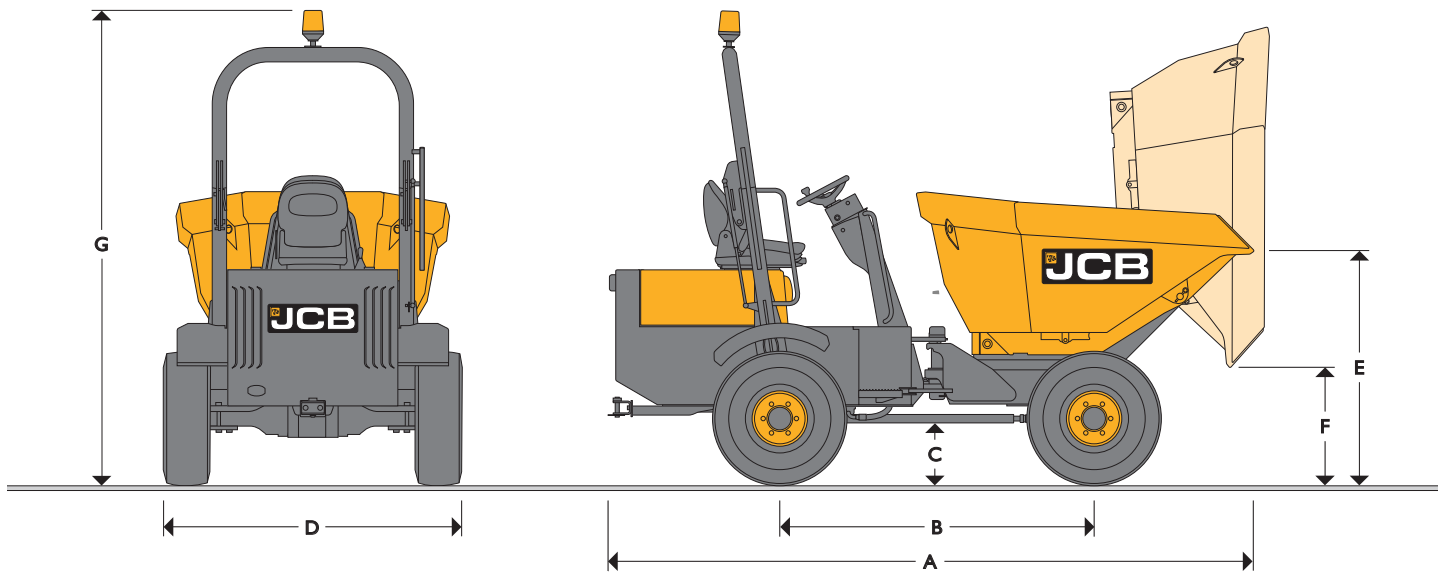
PLANT RENTAL • HAULAGE • SALES • PARTS • SERVICE

01691 770171 0800 515155

sales@ridgwayrentals.com www.ridgwayrentals.com



JCB 9T-FT Site Dumper



STATIC DIMENSIONS AND CAPACITIES

A	Overall length	4489	mm
B	Wheel base	2450	mm
C	Minimum ground clearance		mm
D	Width	2502	mm
E	Height to front lip of skip (untipped)	1709	mm
F	Height to front lip of skip (tipped)	560	mm
	Turning radius to outside of skip	5994	mm
	Steering angle		
	Oscillation		

CAPACITIES

	Payload	9000	kg
	Unladen weight	4590	kg
	Tipping type	Front tip	
	Skip capacity (water)	2064	litres
	Skip capacity (struck)	3899	litres
	Skip capacity (heaped)	4587	litres

*When fitted with narrow tyres

ENGINE

Type			
Engine model	JCB EcoMAX		
Capacity	4400	cc	
Aspiration	Turbocharged		
Cylinders	4		
Max gross power to SAE J1995/ISO 14396	55 (74)	kW (hp)	
Max torque	400	Nm	
Emissions compliance	EU Stage 3B / Tier 4 Final		