

RIDGWAY Rentals

PLANT RENTAL • HAULAGE • SALES • PARTS • SERVICE

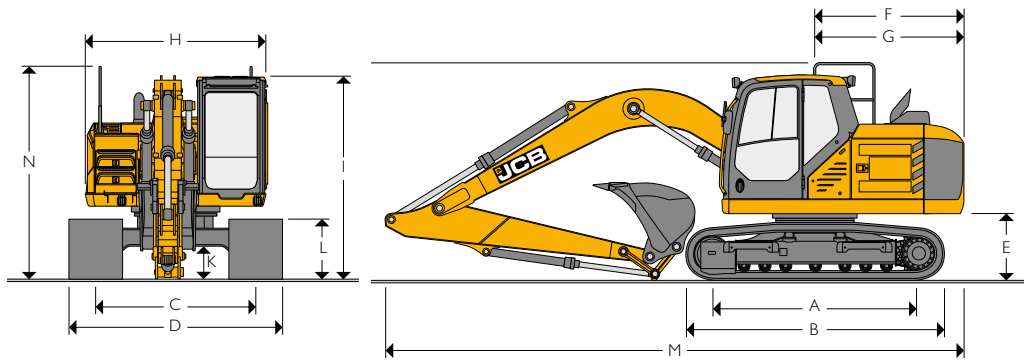
01691 770171 0800 515155

sales@ridgwayrentals.com www.ridgwayrentals.com



JCB 131X

13 Ton Excavator Hire | 13 Ton Excavator Sales



STATIC DIMENSIONS

| | mm | | mm | | mm |
|---|------------------------------|------|----|---------------------------------------|------|
| A | Track length on ground | 2865 | D | Width over tracks (500 mm trackshoes) | 2490 |
| B | Undercarriage overall length | 3590 | D | Width over tracks (600 mm trackshoes) | 2590 |
| C | Track gauge | 1990 | D | Width over tracks (700 mm trackshoes) | 2690 |
| | | | D | Width over tracks (850 mm trackshoes) | 2840 |
| | | | E | Counterweight clearance | 905 |
| | | | F | Tail length | 2103 |
| | | | G | Tail swing radius | 2150 |
| | | | H | Width of upper superstructure | 2490 |
| | | | I | Height over cab | 2866 |
| | | | I | Height over cab (vandal guard) | 3172 |
| | | | I | Height over cab (FOPS guard) | 2965 |
| | | | J | Height over grab rail | 3002 |
| | | | K | Ground clearance | 425 |
| | | | L | Track height | 811 |

WORKING RANGE – MONOBOOM 4.7M

| Dipper length: | 2.5m | 2.7m | 3.0m | |
|----------------|-----------------------------------|-------------|------|------|
| A | Maximum digging reach | mm 8385 | 8564 | 8841 |
| B | Maximum digging reach (on ground) | mm 8240 | 8422 | 8704 |
| C | Maximum digging depth | mm 5564 | 5764 | 6063 |
| D | Maximum digging height | mm 9164 | 9288 | 9503 |
| E | Maximum dumping height | mm 6684 | 6806 | 7007 |
| F | Maximum vertical wall cut depth | mm 5098 | 5295 | 5592 |
| G | Minimum swing radius | mm 2212 | 2506 | 2575 |
| H | Minimum dumping height | mm 2393 | 2267 | 1975 |
| I | Maximum swing height | mm 6707 | 6833 | 7034 |
| J | Minimum swing height | mm 3108 | 2922 | 2630 |
| K | Bucket struck radius | mm 1248 | 1248 | 1248 |
| L | Bucket rotation | degrees 182 | 182 | 182 |
| | Maximum dipper tearout | Kgf 6587 | 6445 | 5986 |
| | Maximum bucket tearout | Kgf 9432 | 9432 | 9432 |

