

RIDGWAY Rentals

PLANT RENTAL • HAULAGE • SALES • PARTS • SERVICE

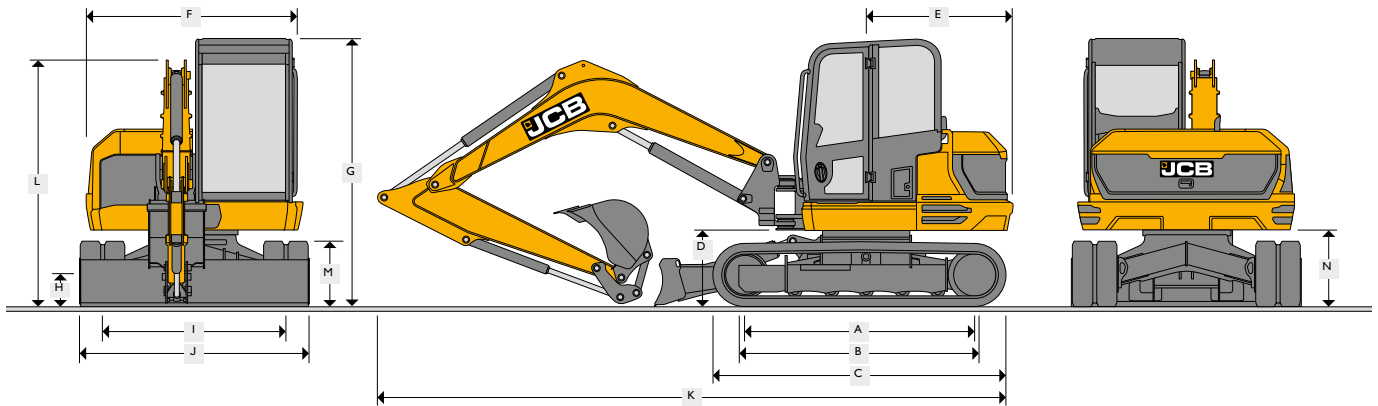
01691 770171 0800 515155

sales@ridgwayrentals.com www.ridgwayrentals.com

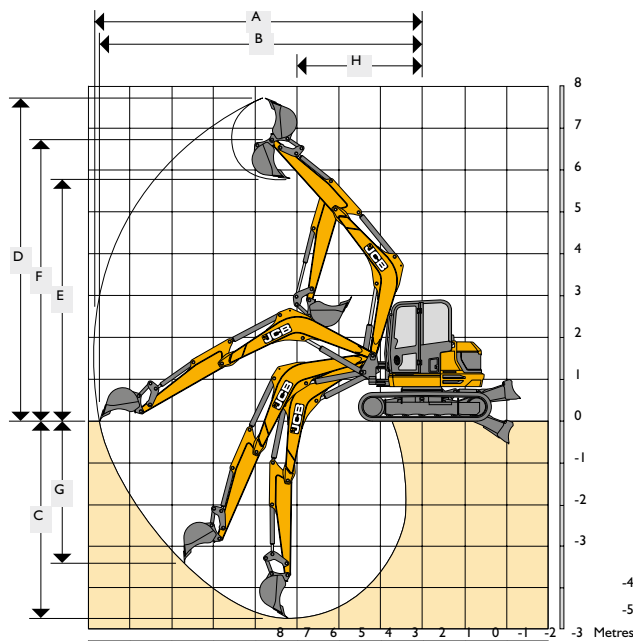


JCB 85Z-1 8 Ton Midi Excavator

Operating weight: 8300/8600kg Net engine power: 45.4kW



| | | | | | | | |
|---|---------------------------------------|----|------|---|---------------------------------------|----|------|
| A | Sprocket idler centres | mm | 2325 | H | Ground clearance | mm | 350 |
| B | Track length on ground | mm | 2325 | I | Track gauge | mm | 1850 |
| C | Undercarriage overall length – rubber | mm | 2950 | J | Width over tracks (450 shoes) | mm | 2300 |
| | Undercarriage overall length – steel | mm | 2900 | K | Transport length with standard dipper | mm | 5833 |
| D | Kingpost clearance | mm | 793 | L | Transport height with standard dipper | mm | |
| E | Tailswing radius | mm | 1145 | M | Track height | mm | 650 |
| F | Overall width of superstructure | mm | 2168 | N | Counterweight clearance | mm | 762 |
| G | Height over cab | mm | 2706 | | | | |



| | | |
|---------------|--|-----------------------|
| Boom length | mm | 2900 |
| Dipper length | mm | 1650 / 2000 / 2100 |
| A | Max digging reach | mm 6596 / 6933 / 7029 |
| B | Max digging reach on ground | mm 6401 / 6748 / 6848 |
| C | Max digging depth – dozer up | mm 3234 / 3584 / 3684 |
| | Max digging depth – dozer down | mm 3615 / 3625 / 3715 |
| D | Max digging height | mm 6487 / 6758 / 6836 |
| E | Max dump / load-over height | mm 4674 / 4946 / 5023 |
| F | Max height to dipper nose pivot pin | mm 5547 / 5819 / 5896 |
| G | Max vertical wallcut depth | mm 2525 / 2849 / 2941 |
| H | Min. front swing radius (no offset) | mm 2847 / 3002 / 3047 |
| | Min. front swing radius (fully offset) | mm 2478 / 2620 / 2660 |