

RIDGWAY Rentals

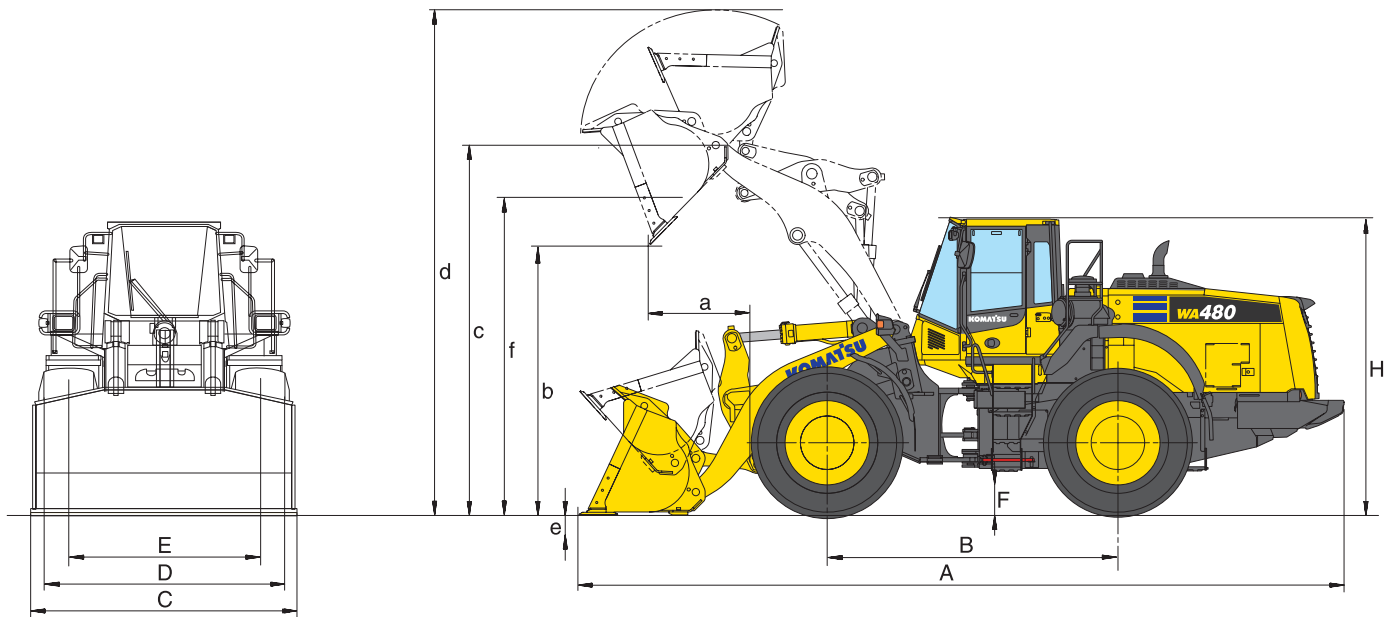
PLANT RENTAL • HAULAGE • SALES • PARTS • SERVICE

01691 770171 0800 515155

sales@ridgwayrentals.com www.ridgwayrentals.com



Komatsu WA480-8 Wheeled Loading Shovel



MEASUREMENTS AND WORKING SPECIFICATIONS

Bucket type		Bucket with flat bottom			
		w. teeth	w. BOC	w/o teeth	w. BOC
Bucket capacity (heaped, ISO 7546)	m ³	4,8	5,0	5,0	5,3
Sales code		C66	C67	C62	C63
Material density	t/m ³	1,65	1,55	1,55	1,45
Bucket weight	kg	2.440	2.505	2.520	2.585
Static tipping load, straight	kg	20.165	19.945	19.995	19.740
Static tipping load, 40° articulated	kg	17.500	17.300	17.305	17.105
Break-out force hydraulic	kN	216	205	204	194
Lifting capability hydr. at ground level	kN	221	218	218	216
Operating weight	kg	26.315	26.380	26.400	26.465
Turning radius at corner of tyres	mm	6.970	6.970	6.970	6.970
Turning radius at bucket edge	mm	7.810	7.760	7.840	7.785
a Reach at 45°	mm	1.620	1.475	1.680	1.540
b Dumping height at 45°	mm	2.920	3.045	2.860	2.980
c Hinge pin height	mm	4.485	4.485	4.485	4.485
d Height top edge of bucket	mm	6.245	6.245	6.315	6.315
e Digging depth	mm	140	170	140	170
f Max. loading height at 45°	mm	4.145	4.145	4.145	4.145
A Overall length, bucket grounded	mm	9.585	9.420	9.675	9.510
B Wheel base	mm	3.450	3.450	3.450	3.450
C Bucket width	mm	3.170	3.170	3.170	3.170
D Width over tyres	mm	3.010	3.010	3.010	3.010
E Track width	mm	2.300	2.300	2.300	2.300
F Ground clearance	mm	505	505	505	505
H Overall height	mm	3.575	3.575	3.575	3.575

All measurements with tyres 26.5 R25 (XHA) and additional counterweight A15.

Details of dumping heights and reach to cutting edge or bolt-on cutting edge (BOC) or teeth.